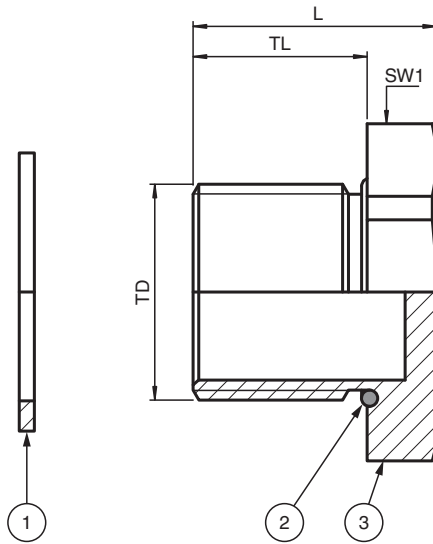


## Stopping Plugs, Metal, Hexagon Head SP.MD.M40.BN.C.17.K10

- Stopping plug for unused cable entries
- Brass nickel-plated
- Thread M40
- Hexagon head
- Ex db, Ex eb and Ex tb certified
- Seal chloroprene
- Suitable for operation in Zone 1, Zone 2, Zone 21 and Zone 22
- Suitable for operation in Class I, Zone 1/2/22
- Suitable for operation in Class I, Division 2 when installed in accordance with NEC501.10(B)(2)
- Degree of protection IP66 / IP68, UL Type 4X
- Packaging unit: 10 pieces, without accessories



### Dimensions



## Dimensions

Details see data table

| Legend |   |
|--------|---|
| 1      | Washer gasket (accessory, metric versions only) |
| 2      | O-Ring (metric versions only)                   |
| 3      | Stopping plug                                   |
|        |   |
| L      | Total length                                    |
| SW*    | Width across flats                              |
| TD     | Thread size                                     |
| TL     | Thread length                                   |

## Technical Data

### Mechanical specifications

|                               |                               |
|-------------------------------|-------------------------------|
| Thread type                   | metric ISO pitch 1.5 mm       |
| Thread size (TD)              | M40                           |
| Degree of protection          | IP66 / IP68 , UL Type 4X      |
| Material                      |                               |
| Finish                        | inherent color silver         |
| Washer gasket                 | aramid fibers bonded with NBR |
| O-Ring                        | chloroprene                   |
| Stopping plug                 | brass, nickel-plated          |
| Mass                          |                               |
| Individual component          | approx. 106 g                 |
| Packing unit                  | approx. 1.17 kg               |
| Dimensions                    |                               |
| Diameter thru-hole (DT)       | 40 ... 40.3 mm                |
| Width across flats (SW1)      | 45 mm                         |
| Thread length (TL)            | 17.5 mm                       |
| Total length (L)              | 23 mm                         |
| Tightening torque             |                               |
| Nut torque at enclosure (SW1) | 9.5 Nm                        |

### Ambient conditions

|                     |  |
|---------------------|--|
| Ambient temperature | -40 ... 100 °C (-40 ... 212 °F)<br>washer gasket: -40 ... 80 °C (-40 ... 176 °F) |
|---------------------|--|

### Data for application in connection with hazardous areas

|                                 |  |
|---------------------------------|--|
| EU-type examination certificate | CESI 15 ATEX 029X  |
| Marking                         | ⊕ II 2 GD<br>Ex db IIC Gb<br>Ex eb IIC Gb<br>Ex tb IIIC Db |

### International approvals

|                |  |
|----------------|--|
| UL approval    |  |
| cULus          | E305142 tested to UL 50E and UL 508A<br>CSA C22.2, No. 14-13 |
| IECEx approval | IECEx CES 15.0006X   |
| UKCA approval  | CML 22 UKEX 1267X  |
| CCC approval   | 2021312313000343   |

### Conformity

|                      |          |
|----------------------|----------|
| Degree of protection | EN 60529 |
|----------------------|----------|

### General information

|                   |    |
|-------------------|----|
| Delivery quantity | 10 |
|-------------------|----|

**Technical Data**

|                           |  |
|---------------------------|--|
| Scope of delivery         | 10 Stopping Plugs, Metal, Hexagon Head<br>Brief instructions (1 copy)  |
| Supplementary information | EC-Type Examination Certificate, Statement of Conformity, Declaration of Conformity, Attestation of Conformity and instructions have to be observed where applicable. For information see <a href="http://www.pepperl-fuchs.com">www.pepperl-fuchs.com</a> . |