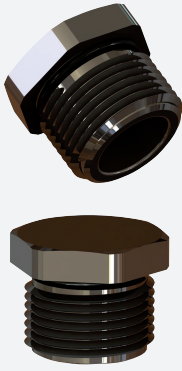


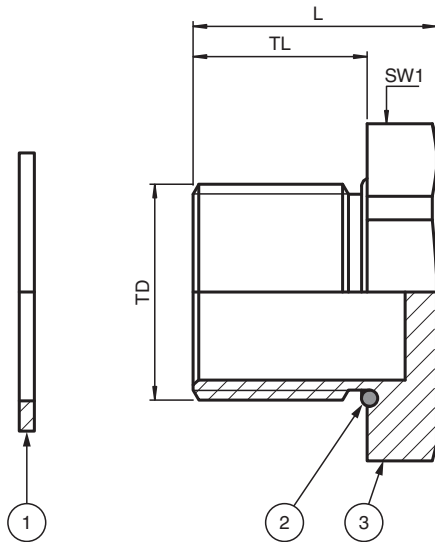
Stopping Plugs, Metal, Hexagon Head SP.MD.M20.SS.C.15.K50



- Stopping plug for unused cable entries
- Stainless Steel
- Thread M20
- Hexagon head
- Ex db, Ex eb and Ex tb certified
- Seal chloroprene
- Suitable for operation in Zone 1, Zone 2, Zone 21 and Zone 22
- Suitable for operation in Class I, Zone 1/2/22
- Suitable for operation in Class I, Division 2 when installed in accordance with NEC501.10(B)(2)
- Degree of protection IP66 / IP68, UL Type 4X
- Packaging unit: 50 pieces, without accessories



Dimensions



Dimensions

Details see data table

| Legend | |
|--------|---|
| 1 | Washer gasket (accessory, metric versions only) |
| 2 | O-Ring (metric versions only) |
| 3 | Stopping plug |
| | |
| L | Total length |
| SW* | Width across flats |
| TD | Thread size |
| TL | Thread length |

Technical Data

Mechanical specifications

| | |
|-------------------------------|-------------------------------|
| Thread type | metric ISO pitch 1.5 mm |
| Thread size (TD) | M20 |
| Degree of protection | IP66 / IP68 , UL Type 4X |
| Material | |
| Finish | inherent color silver |
| Washer gasket | aramid fibers bonded with NBR |
| O-Ring | chloroprene |
| Stopping plug | stainless steel |
| Mass | |
| Individual component | approx. 34 g |
| Packing unit | approx. 1.87 kg |
| Dimensions | |
| Diameter thru-hole (DT) | 20 ... 20.2 mm |
| Width across flats (SW1) | 25 mm |
| Thread length (TL) | 15.5 mm |
| Total length (L) | 21 mm |
| Tightening torque | |
| Nut torque at enclosure (SW1) | 6 Nm |

Ambient conditions

| | |
|---------------------|--|
| Ambient temperature | -40 ... 100 °C (-40 ... 212 °F) washer gasket: -40 ... 80 °C (-40 ... 176 °F) |
|---------------------|--|

Data for application in connection with hazardous areas

| | |
|---------------------------------|--|
| EU-type examination certificate | CESI 15 ATEX 029X |
| Marking | ⊕ II 2 GD Ex db IIC Gb Ex eb IIC Gb Ex tb IIIC Db |

International approvals

| | |
|----------------|--|
| UL approval | |
| cULus | E305142 tested to UL 50E and UL 508A CSA C22.2, No. 14-13 |
| IECEx approval | IECEx CES 15.0006X |
| UKCA approval | CML 22 UKEX 1267X |
| CCC approval | 2021312313000343 |

Conformity

| | |
|----------------------|----------|
| Degree of protection | EN 60529 |
|----------------------|----------|

General information

| | |
|-------------------|----|
| Delivery quantity | 50 |
|-------------------|----|

Technical Data

| | |
|---------------------------|--|
| Scope of delivery | Stopping Plugs, Metal, Hexagon Head Brief instructions (1 copy) |
| Supplementary information | EC-Type Examination Certificate, Statement of Conformity, Declaration of Conformity, Attestation of Conformity and instructions have to be observed where applicable. For information see www.pepperl-fuchs.com . |