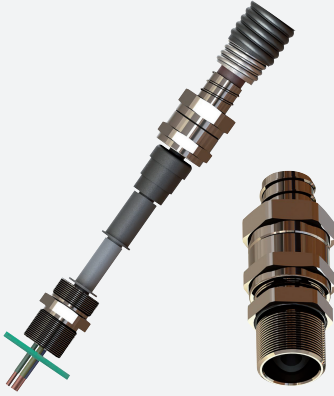


# Cable Glands, Metal, for Flexible Conduits

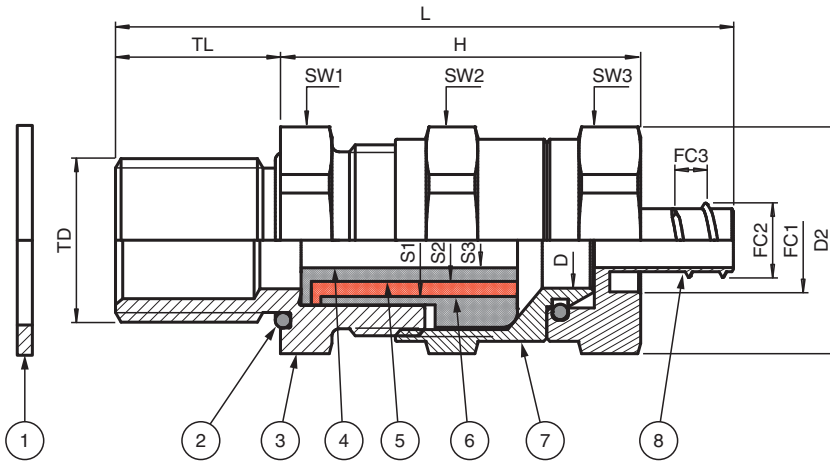
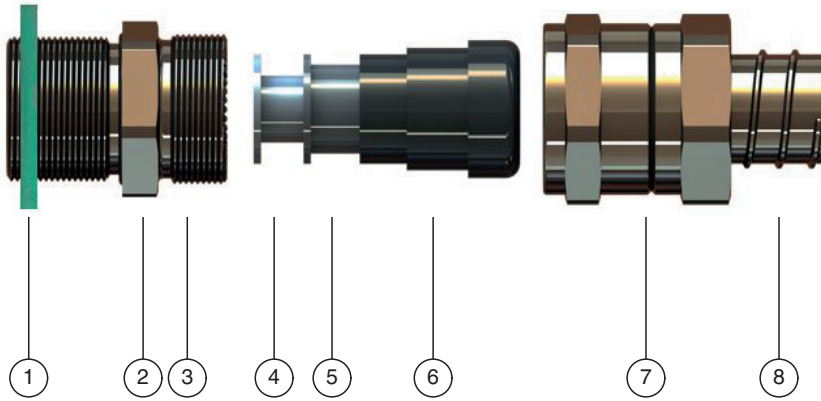
## CG.CO.NPT3/4.BN.C.16.K10



- For cables without armor
- Connection of flexible metallic conduits
- Brass nickel-plated
- Thread NPT 3/4"
- Seal chloroprene
- Ex db, Ex eb and Ex tb certified
- Suitable for operation in Zone 1, Zone 2, Zone 21 and Zone 22
- Packaging unit: 10 pieces, without accessories



### Dimensions



Release date: 2024-03-19 Date of issue: 2024-03-19 Filename: 400842\_eng.pdf

## Dimensions

Details see data table

Legend	
1	Washer gasket (accessory)
2	O-Ring
3	Gland body basis
4	Seal insert S3
5	Seal insert S2
6	Seal insert S1
7	Connection body
8	Connection for flexible conduit
D	Clamping range, cable sheath diameter
D2	Width across corners
FC1	Flexible conduit, max. outer diameter
FC2	Flexible conduit, inner diameter
FC3	Flexible conduit, corrugation size
H	Length outside enclosure
L	Total length
S*	Clamping range, seal insert combinations
SW*	Width across flats
TD	Thread size
TL	Thread length

## Technical Data

Mechanical specifications	
Cable type	non-armored cables in flexible conduit
Clamping range (D)	10 ... 18 mm
Seal combination S1	14.5 ... 18 mm
Seal combination S1+S2	12 ... 14.5 mm
Seal combination S1+S2+S3	10 ... 12 mm
Thread type	NPT ANSI ASME B1.20.1
Thread size (TD)	NPT 3/4"
Degree of protection	IP66 / IP68
Material	
Finish	inherent color silver
Cable gland	brass, nickel-plated
Washer gasket	aramid fibers bonded with NBR
O-Ring	chloroprene
Seal insert	chloroprene
Mass	
Individual component	approx. 106 g
Packing unit	approx. 1.17 kg
Dimensions	
Width across corners (D2)	31.5 mm
Diameter thru-hole (DT)	26.7 ... 26.9 mm
Flexible conduit, max. outer diameter (FC1)	27.5 mm
Flexible conduit, inner diameter (FC2)	20 mm
Flexible conduit, corrugation size (FC3)	4.5 mm
Length outside enclosure (H)	41.5 mm

Release date: 2024-03-19 Date of issue: 2024-03-19 Filename: 400842\_eng.pdf

## Technical Data

Width across flats (SW1)	28 mm
Width across flats (SW2)	29 mm
Width across flats (SW3)	29 mm
Thread length (TL)	16 mm
Total length (L)	72.5 mm
Tightening torque	
Nut torque at enclosure (SW1)	5.5 Nm
Nut torque 2 with seal S1 (SW2)	18 Nm
Nut torque 2 with seals S1+S2 (SW2)	22 Nm
Nut torque 2 with seals S1+S2+S3 (SW2)	25 Nm
<b>Ambient conditions</b>	
Ambient temperature	-40 ... 80 °C (-40 ... 176 °F) washer gasket -40 ... 80 °C (-40 ... 176 °F)
<b>Data for application in connection with hazardous areas</b>	
EU-type examination certificate	IMQ 14 ATEX 012X
Marking	Ⓜ II 2 GD Ex db IIC Gb Ex eb IIC Gb Ex tb IIIC Db
<b>International approvals</b>	
IECEX approval	IECEX IMQ 14.0004X
UKCA approval	CML 21 UKEX 11380X
INMETRO approval	DNV 20.0029 X
CCC approval	2021312313000344
<b>Conformity</b>	
Degree of protection	EN 60529
<b>General information</b>	
Delivery quantity	10
Scope of delivery	Cable glands Brief instructions (1 copy)
Supplementary information	EC-Type Examination Certificate, Statement of Conformity, Declaration of Conformity, Attestation of Conformity and instructions have to be observed where applicable. For information see <a href="http://www.pepperl-fuchs.com">www.pepperl-fuchs.com</a> .