



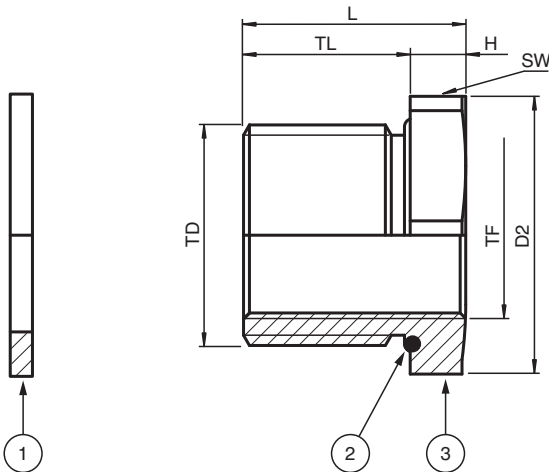
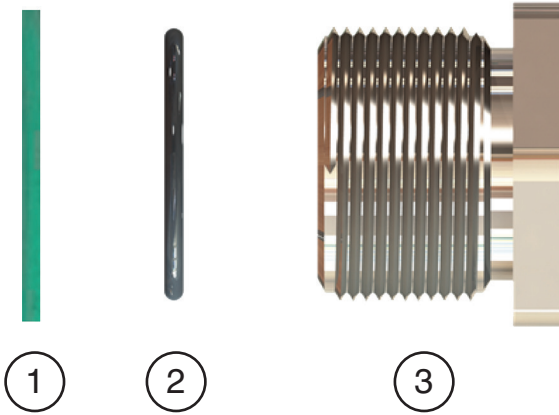
## Adapter

AD.M20.M16.BN.C.15.K01

- Adapter male thread metric to female thread metric
- Brass nickel-plated
- Thread M20
- Thread M16
- Seal chloroprene
- Ex db, Ex eb and Ex tb certified
- Suitable for operation in Zone 1, Zone 2, Zone 21 and Zone 22
- Packaging unit: 1 piece, kit with accessories



### Assembly



## Assembly

Details see data table

| Legend |  |
|--------|--|
| 1      | Washer gasket (accessory, metric threads only) |
| 2      | O-Ring (metric threads only)                   |
| 3      | Adapter  |
|        |  |
| DI     | Diameter internal hole                         |
| D2     | Width across corners                           |
| H      | Length outside enclosure                       |
| L      | Total length                                   |
| SW*    | Width across flats                             |
| TD     | Thread size                                    |
| TF     | Thread size female                             |
| TL     | Thread length                                  |
| TLF    | Thread length female                           |

## Technical Data

### Mechanical specifications

|                         |                               |
|-------------------------|-------------------------------|
| Thread type             | metric ISO pitch 1.5 mm       |
| Thread size (TD)        | M20                           |
| Thread type female      | metric ISO pitch 1.5 mm       |
| Thread size female (TF) | M16                           |
| Degree of protection    | IP66 / IP68                   |
| Material                |                               |
| Finish                  | inherent color silver         |
| Washer gasket           | aramid fibers bonded with NBR |
| Adapter                 | brass, nickel-plated          |
| O-Ring                  | chloroprene                   |

### Mass

|                      |              |
|----------------------|--------------|
| Individual component | approx. 39 g |
| Packing unit         | approx. 51 g |

### Dimensions

|                              |         |
|------------------------------|---------|
| Width across corners (D2)    | 27.5 mm |
| Length outside enclosure (H) | 4 mm    |
| Width across flats (SW1)     | 25 mm   |
| Thread length (TL)           | 15 mm   |
| Thread length female (TLF)   | 19 mm   |
| Total length (L)             | 19 mm   |

### Tightening torque

|                               |      |
|-------------------------------|------|
| Nut torque at enclosure (SW1) | 6 Nm |
|-------------------------------|------|

### Ambient conditions

|                     |   |
|---------------------|---|
| Ambient temperature | -40 ... 100 °C (-40 ... 212 °F)<br>washer gasket -40 ... 80 °C (-40 ... 176 °F) |
|---------------------|---|

### Data for application in connection with hazardous areas

|                                 |  |
|---------------------------------|--|
| EU-type examination certificate | CESI 15 ATEX 029X  |
| Marking                         | ⊕ II 2 GD<br>Ex db IIC Gb<br>Ex eb IIC Gb<br>Ex tb IIIC Db |

### International approvals

|                |                    |
|----------------|--------------------|
| IECEX approval | IECEX CES 15.0006X |
| UKCA approval  | CML 22 UKEX 1267X  |

Release date: 2024-07-15 Date of issue: 2024-07-15 Filename: 400920\_eng.pdf

**Technical Data**

|                            |  |
|----------------------------|--|
| CCoE approval              | PESO A/P/HQ/KA/104/5579 (P420366)  |
| CCC approval               | 2021312313000345   |
| <b>Conformity</b>          |  |
| Degree of protection       | EN 60529   |
| <b>General information</b> |  |
| Delivery quantity          | 1  |
| Scope of delivery          | Adapter<br>locknut<br>washer gasket<br>Brief instructions  |
| Supplementary information  | EC-Type Examination Certificate, Statement of Conformity, Declaration of Conformity, Attestation of Conformity and instructions have to be observed where applicable. For information see <a href="http://www.pepperl-fuchs.com">www.pepperl-fuchs.com</a> . |