



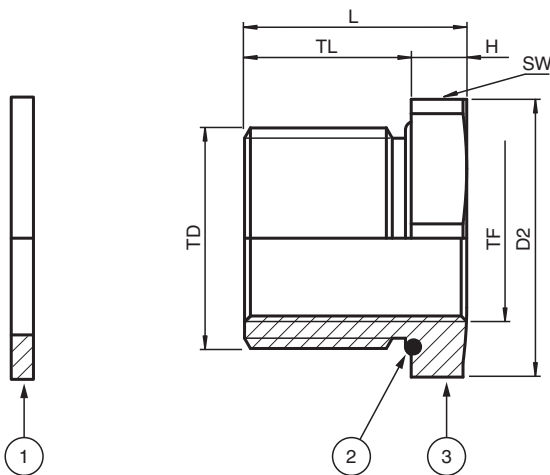
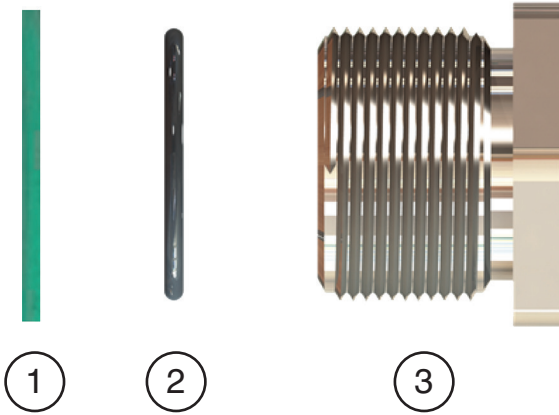
## Adapter

AD.M25.NPT1/2.BN.C.15.K01

- Adapter male thread metric to female thread NPT
- Brass nickel-plated
- Thread M25
- Thread NPT 1/2"
- Seal chloroprene
- Ex db, Ex eb and Ex tb certified
- Suitable for operation in Zone 1, Zone 2, Zone 21 and Zone 22
- Packaging unit: 1 piece, kit with accessories



### Assembly



## Assembly

Details see data table

| Legend |  |
|--------|--|
| 1      | Washer gasket (accessory, metric threads only) |
| 2      | O-Ring (metric threads only)                   |
| 3      | Adapter  |
|        |  |
| DI     | Diameter internal hole                         |
| D2     | Width across corners                           |
| H      | Length outside enclosure                       |
| L      | Total length                                   |
| SW*    | Width across flats                             |
| TD     | Thread size                                    |
| TF     | Thread size female                             |
| TL     | Thread length                                  |
| TLF    | Thread length female                           |

## Technical Data

| Mechanical specifications                               |   |
|---|---|
| Thread type   | metric ISO pitch 1.5 mm   |
| Thread size (TD)  | M25   |
| Thread type female                                      | NPT ANSI ASME B1.20.1   |
| Thread size female (TF)                                 | NPT 1/2"  |
| Degree of protection                                    | IP66 / IP68   |
| Material  |   |
| Finish  | inherent color silver   |
| Washer gasket   | aramid fibers bonded with NBR   |
| Adapter   | brass, nickel-plated  |
| O-Ring  | chloroprene   |
| Mass  |   |
| Individual component                                    | approx. 33 g  |
| Packing unit  | approx. 43 g  |
| Dimensions  |   |
| Width across corners (D2)                               | 33 mm   |
| Length outside enclosure (H)                            | 4 mm  |
| Width across flats (SW1)                                | 30 mm   |
| Thread length (TL)                                      | 15 mm   |
| Thread length female (TLF)                              | 19 mm   |
| Total length (L)  | 19 mm   |
| Tightening torque                                       |   |
| Nut torque at enclosure (SW1)                           | 8.5 Nm  |
| Ambient conditions                                      |   |
| Ambient temperature                                     | -40 ... 100 °C (-40 ... 212 °F)<br>washer gasket -40 ... 80 °C (-40 ... 176 °F) |
| Data for application in connection with hazardous areas |   |
| EU-type examination certificate                         | CESI 15 ATEX 029X   |
| Marking   | ⊕ II 2 GD<br>Ex db IIC Gb<br>Ex eb IIC Gb<br>Ex tb IIIC Db                      |
| International approvals                                 |   |
| IECEX approval  | IECEX CES 15.0006X  |
| UKCA approval   | CML 22 UKEX 1267X   |

Release date: 2024-07-31 Date of issue: 2024-07-31 Filename: 400929\_eng.pdf

**Technical Data**

|                            |  |
|----------------------------|--|
| CCoE approval              | PESO A/P/HQ/KA/104/5579 (P420366)  |
| CCC approval               | 2021312313000345   |
| <b>Conformity</b>          |  |
| Degree of protection       | EN 60529   |
| <b>General information</b> |  |
| Delivery quantity          | 1  |
| Scope of delivery          | Adapter<br>locknut<br>washer gasket<br>Brief instructions  |
| Supplementary information  | EC-Type Examination Certificate, Statement of Conformity, Declaration of Conformity, Attestation of Conformity and instructions have to be observed where applicable. For information see <a href="http://www.pepperl-fuchs.com">www.pepperl-fuchs.com</a> . |