



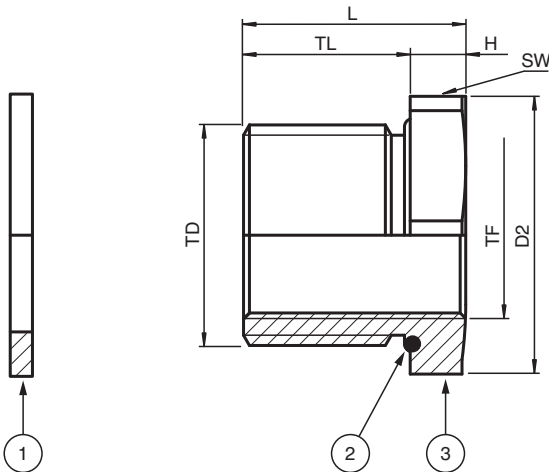
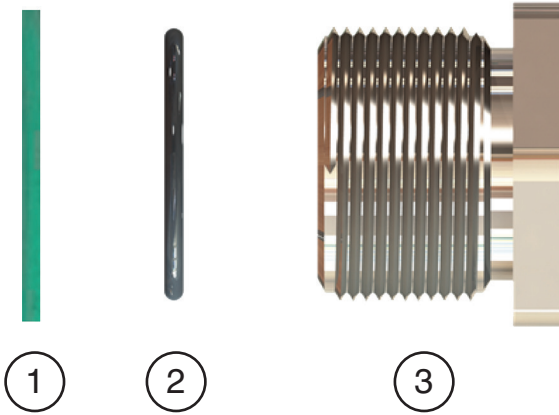
## Adapter

AD.M25.NPT1/2.SS.C.15.K01

- Adapter male thread metric to female thread NPT
- Stainless Steel
- Thread M25
- Thread NPT 1/2"
- Seal chloroprene
- Ex db, Ex eb and Ex tb certified
- Suitable for operation in Zone 1, Zone 2, Zone 21 and Zone 22
- Packaging unit: 1 piece, kit with accessories



### Assembly



## Assembly

Details see data table

Legend	
1	Washer gasket (accessory, metric threads only)
2	O-Ring (metric threads only)
3	Adapter
DI	Diameter internal hole
D2	Width across corners
H	Length outside enclosure
L	Total length
SW*	Width across flats
TD	Thread size
TF	Thread size female
TL	Thread length
TLF	Thread length female

## Technical Data

Mechanical specifications	
Thread type	metric ISO pitch 1.5 mm
Thread size (TD)	M25
Thread type female	NPT ANSI ASME B1.20.1
Thread size female (TF)	NPT 1/2"
Degree of protection	IP66 / IP68
Material	
Finish	inherent color silver
Washer gasket	aramid fibers bonded with NBR
Adapter	stainless steel
O-Ring	chloroprene
Mass	
Individual component	approx. 33 g
Packing unit	approx. 43 g
Dimensions	
Width across corners (D2)	33 mm
Length outside enclosure (H)	4 mm
Width across flats (SW1)	30 mm
Thread length (TL)	15 mm
Thread length female (TLF)	19 mm
Total length (L)	19 mm
Tightening torque	
Nut torque at enclosure (SW1)	8.5 Nm
<b>Ambient conditions</b>	
Ambient temperature	-40 ... 100 °C (-40 ... 212 °F) washer gasket -40 ... 80 °C (-40 ... 176 °F)
<b>Data for application in connection with hazardous areas</b>	
EU-type examination certificate	CESI 15 ATEX 029X
Marking	⊕ II 2 GD Ex db IIC Gb Ex eb IIC Gb Ex tb IIIC Db
<b>International approvals</b>	
IECEX approval	IECEX CES 15.0006X
UKCA approval	CML 22 UKEX 1267X

Release date: 2024-07-15 Date of issue: 2024-07-15 Filename: 400941\_eng.pdf

**Technical Data**

CCoE approval	PESO A/P/HQ/KA/104/5579 (P420366)
CCC approval	2021312313000345
<b>Conformity</b>	
Degree of protection	EN 60529
<b>General information</b>	
Delivery quantity	1
Scope of delivery	Adapter locknut washer gasket Brief instructions
Supplementary information	EC-Type Examination Certificate, Statement of Conformity, Declaration of Conformity, Attestation of Conformity and instructions have to be observed where applicable. For information see <a href="http://www.pepperl-fuchs.com">www.pepperl-fuchs.com</a> .