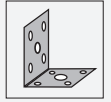




Mounting aid

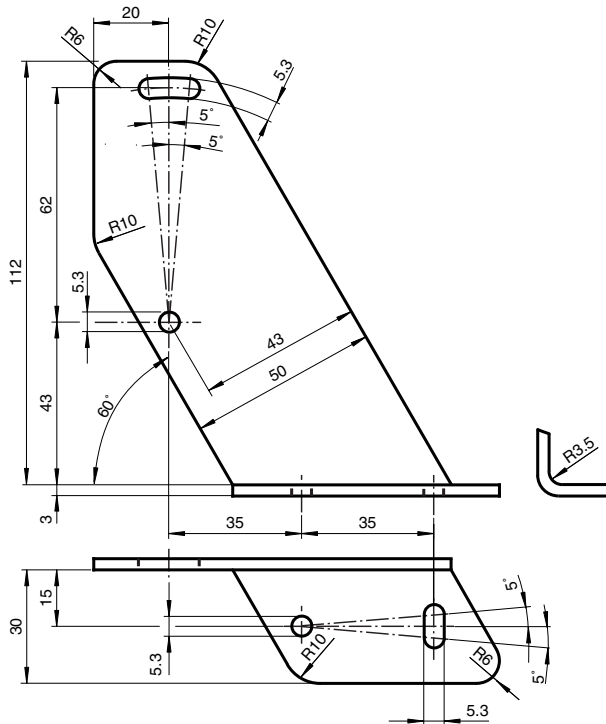
OMH-21

- Mounting bracket
- Simple and fast mounting



Mounting bracket: mounting aid for sensors in the RL* series

Dimensions



Technical Data

Mechanical specifications

Material	powder coated steel
Mass	approx. 175 g
Mounting	Mounting accessories included

Suitable series

Series	RL23 RL28 RL29
Safety Series	SLA20 SLA28 SL29, SLA29