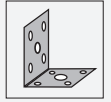




Mounting aid

OMH-91

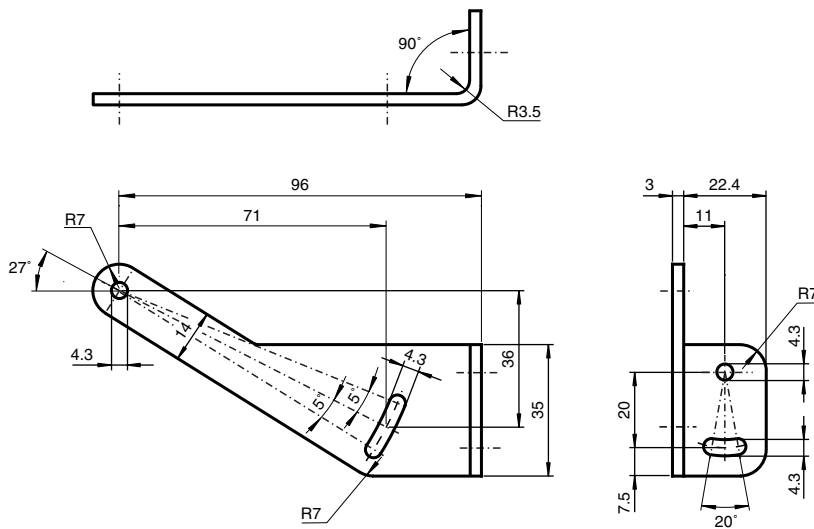
- Mounting bracket
- Simple and fast mounting



Mounting bracket



Dimensions



Technical Data

Mechanical specifications

Material	Metal sheet (steel), black-coated
Mass	approx. 70 g
Mounting	Mounting accessories included

Suitable series

Series	RL91
--------	------

Release date: 2020-03-21 | Date of issue: 2020-06-30 | Filename: 405585_eng.pdf