

# Deviation mirror

## SLA-1-M

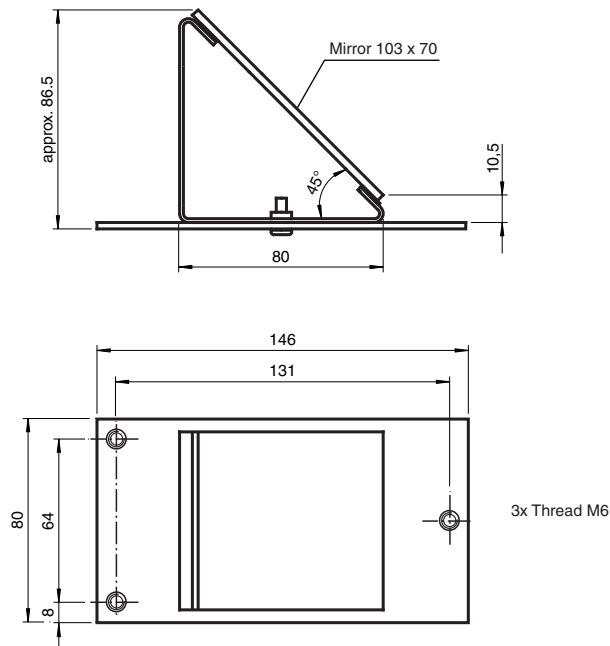


- Deflecting mirror for single-beam deflection of the protection beam of safety light beams in the SL and SLA series

Deviation mirror



### Dimensions



### Technical Data

#### Functional safety related parameters

|                              |          |
|------------------------------|----------|
| Safety Integrity Level (SIL) | SIL 3    |
| Performance level (PL)       | PL e     |
| Category                     | Cat. 4   |
| Mission Time ( $T_M$ )       | 20 a     |
| $PFH_d$                      | 4.4 E-10 |

#### Ambient conditions

|                     |                                |
|---------------------|--------------------------------|
| Storage temperature | -40 ... 85 °C (-40 ... 185 °F) |
|---------------------|--------------------------------|

#### Mechanical specifications

|          |  |
|----------|--|
| Material |  |
|----------|--|

Release date: 2020-03-23 Date of issue: 2020-10-06 Filename: 406214\_eng.pdf

**Technical Data**

|                        |                                   |
|------------------------|-----------------------------------|
| Housing                | Metal sheet (steel), black-coated |
| <b>Suitable series</b> |                                   |
| Safety Series          | SLA                               |