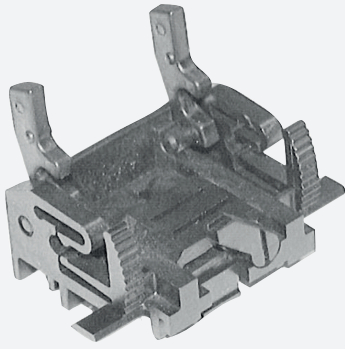


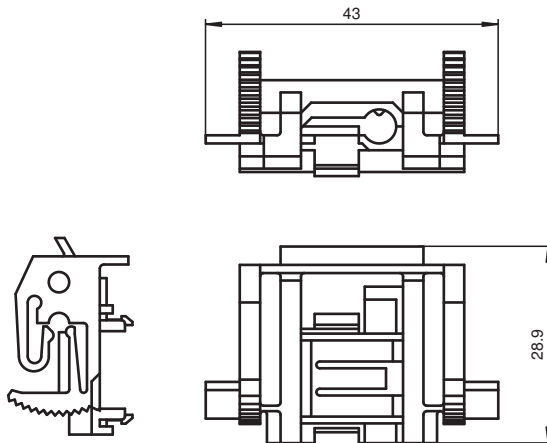
Mounting aid DGE LAGERBOCK AIR16



Pedestal for the sensor module AIR16



Dimensions



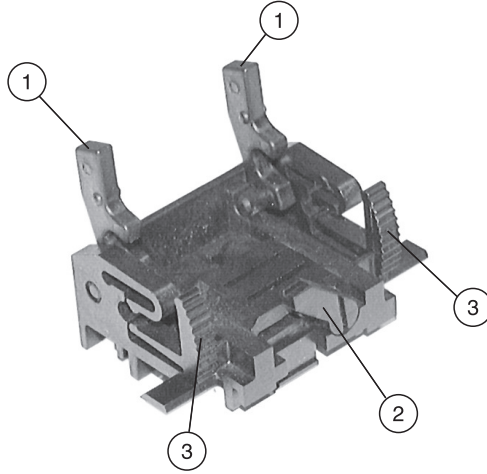
Technical Data

Mechanical specifications

Material	plastic
Mass	approx. 5 g
Suitable series	
Series	TopScan

Release date: 2020-09-25 Date of issue: 2020-10-08 Filename: 406730_eng.pdf

Assembly



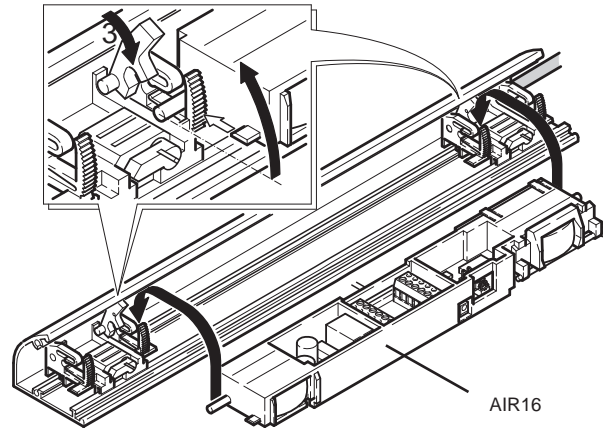
Release date: 2020-09-25 Date of issue: 2020-10-08 Filename: 406730_eng.pdf

Assembly

- 1 Locking mechanism for replacing and fastening the AIR16 sensor module
- 2 Locking mechanism for positioning and fastening in the Topscan aluminium profile
- 3 Adjuster for stepless angle adjustment of the sensor monitoring edge

Mounting

Replacing AIR16 sensors for Topscan device



Sensors can be replaced faster and more easily with the locking mechanism on the print holder.