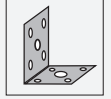


Mounting aid OMH-DAD10

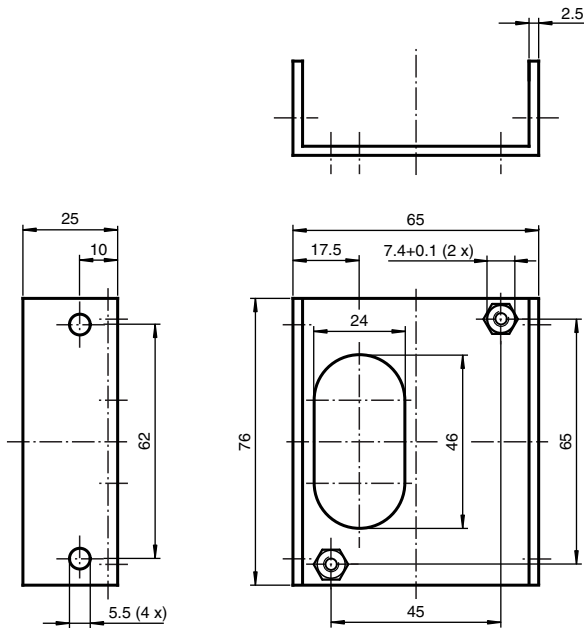


- Mounting bracket
- Simple and fast mounting

Mounting bracket



Dimensions



Technical Data

Mechanical specifications

Material	aluminum
Mass	approx. 50 g
Suitable series	
Series	DAD10 DAD15