

Model Number

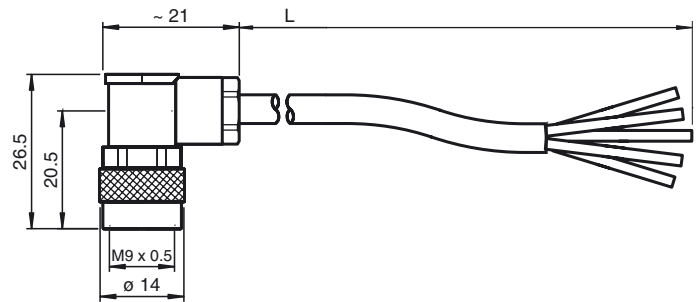
ASK /78 KL.2000MM

Cable socket, M9, 5-pin, cable

Features

- UL Recognized Component
- Screw lock
- Protection degree IP67

Dimensions



Technical data

General specifications

Number of poles	5
Connection 1	Connector, female
Construction type 1	angled
Threading 1	M9
Connection 2	free cable end

Electrical specifications

Operating voltage	U_B	max. 125 V DC
Test voltage		> 1500 V _{eff} AC
Operating current		max. 3 A
Volume resistance		< 3 mΩ

Ambient conditions

Ambient temperature	-40 ... 85 °C (233 ... 358 K)
Pollution Degree	1

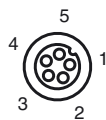
Mechanical specifications

Contact elements	spring-loaded contact socket
pin diameter	1 mm
Protection degree	IP67
Material	
Contacts	CuSn
Contact surface	Au
Handle	PA 66 , black
Slotted nut	CuZn, nickel-plated
Cable	fine-strand, flexible
Sheath diameter	Ø5.2 mm
Colour	black
Cores	5 x 0.25 mm ²
Conductor construction	28 x 0.07 mm Ø
Length	L 2 m

Approvals and certificates

UL approval	cURus AWM 20549 AWM I/II A/B 80°C 300V FT2 (cable)
-------------	--

Electrical connection



1	WH
2	BN
3	GN
4	GY
5	YE