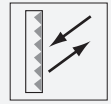




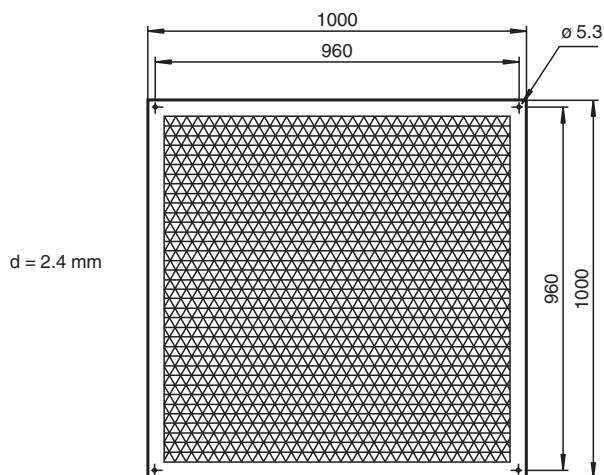
Reflective tape REF-1000MMx1000MM



- Suitable for distance sensors EDM50, EDM120, EDM240, and VDM

Reflective tape on metal plate 1000 mm x 1000 mm

Dimensions



Technical Data

General specifications	
Construction type	rectangular
Ambient conditions	
Ambient temperature	-30 ... 60 °C (-22 ... 140 °F)
Mechanical specifications	
Material	Reflective tape, Plate: aluminum
Mass	approx. 5.5 kg
Dimensions	1000 mm x 1000 mm
Mounting	mounting holes
Suitable series	
Series	EDM , VDM

Release date: 2020-03-23 Date of issue: 2020-06-30 Filename: 409248_eng.pdf