

Inductive analog sensor

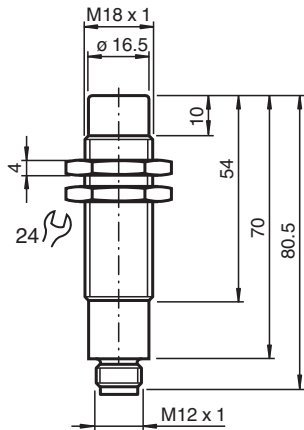
ANT2-8 2084/85 V1



- Inductive analog
- Output 0 V ... 10 V
- Output 0 mA ... 20 mA
- Non-flush mountable



Dimensions



Technical Data

General specifications

Output type	Analog current output or analog voltage output	
Installation	non-flush	
Output polarity	DC	
Measurement range	2 ... 8 mm	
Output type	3-wire	

Nominal ratings

Operating voltage	U_B	18 ... 30 V
Output signal	0 ... 20 mA 0 ... 10 V	
Reverse polarity protection	reverse polarity protected	
Linearity error	± 0.5 %	
Temperature drift	≤ 0.2 % / K v.E.	
Repeat accuracy	< 0.02 mm	
No-load supply current	I_0	≤ 16.25 mA
Load resistor	voltage output: $\geq 4,7$ k Ω current output: ≤ 200 Ω	

Electrical specifications

Linearity	± 5 % v.E.	
-----------	----------------	--

Compliance with standards and directives

Release date: 2024-05-28 Date of issue: 2024-06-07 Filename: 409633_eng.pdf

Technical Data

Standard conformity		
Standards	EN IEC 60947-5-2	
Approvals and certificates		
CCC approval	CCC approval / marking not required for products rated ≤ 36 V	
Ambient conditions		
Ambient temperature	-25 ... 70 °C (-13 ... 158 °F)	
Mechanical specifications		
Connection type	M12 x 1	
Housing material	brass, nickel-plated	
Sensing face	PBT	
Degree of protection	IP67	
Dimensions		
Length	70 mm	
Diameter	18 mm	

Connection

