

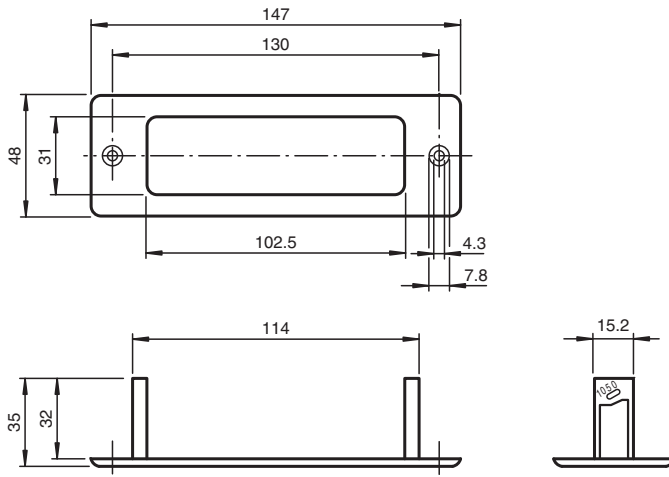
Mounting aid DGE UP-Einbaurahmen



Mounting frame for sensors in the AIR30 and PROSCAN series



Dimensions



Technical Data

Mechanical specifications

Material	plastic
Mass	approx. 15 g

Suitable series

Series	AIR30 Proscan
--------	------------------

Release date: 2020-03-21 Date of issue: 2020-10-08 Filename: 413567_eng.pdf

