

## Print mark contrast sensor

DK20-9,5/79B/110/124



- Diffuse mode sensor for recording any print mark
- Static TEACH-IN: automatic switching threshold adaptation
- Optical system exchangeable by 90°
- 30 µs response time, suitable for extremely rapid scanning processes
- 3 emitter colors: green, red and blue

Print mark contrast sensor, 9.5 mm detection range, RGB light, light/dark on, external Teach-in, analog output, push-pull output, M12 plug



### Function

The contrast sensor series DK10, DK2X, DKE2X and DK3X have an extreme robust and IP67 tight industrial standard housing with eight M5 metal reinforced inserts for sensor mounting. The lenses are made of high grade glass. All sensors offer different light spot shapes and orientations and have powerful push-pull outputs (NPN/PNP/push-pull).

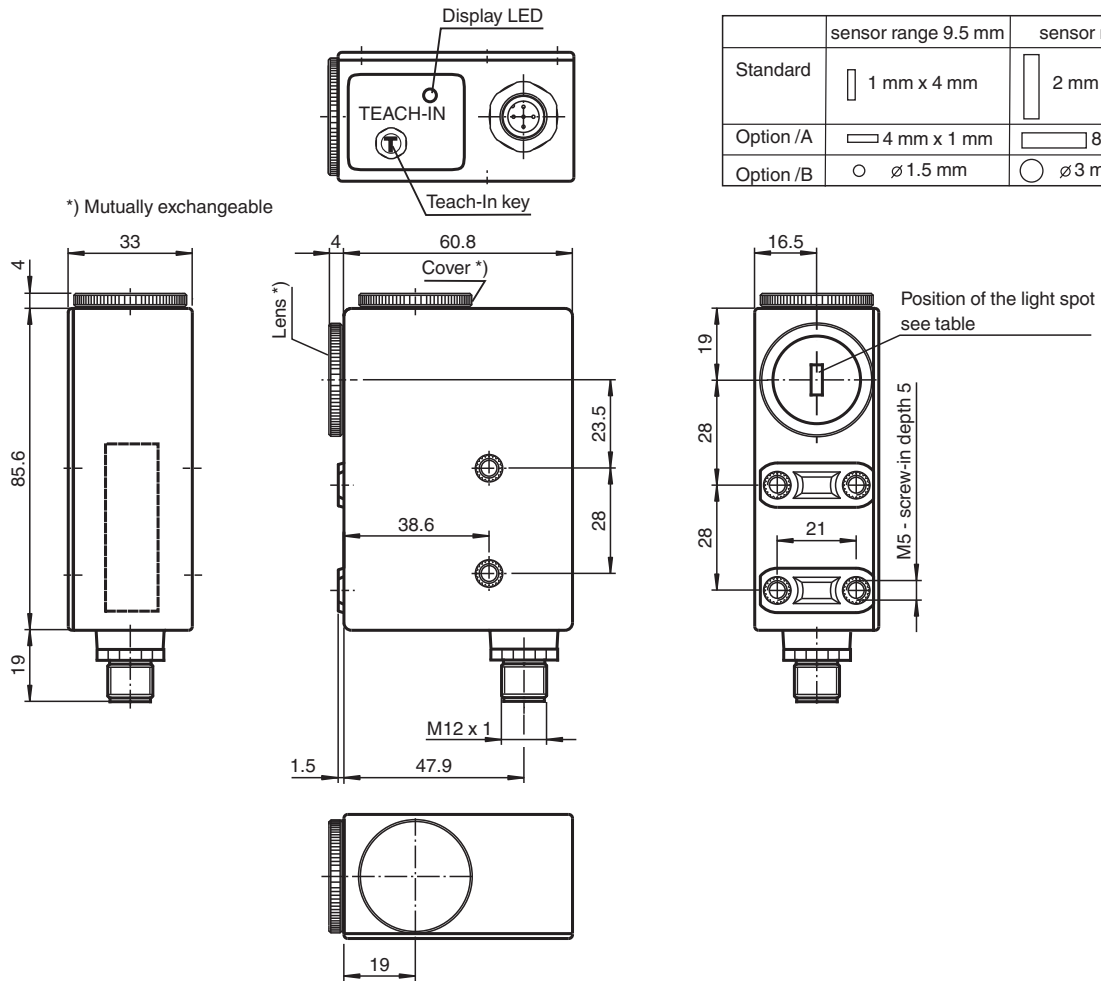
The DK10 sensor series offers laser and LED light sources, a manual sensitivity adjustment and high sensing ranges up to 800 mm.

The DK20/DK21/DKE2X standard contrast sensor series offers a very good contrast recognition and are available in extreme robust stainless-steel housings (DKE).

The DK31/DK34/DK35 sensor series is designed for cutting edge contrast recognition at highest sensitivity level.

The series DK20/DK34 offer a static Teach-In, the DK21/DKE21/DK31/DK35 series offer a dynamic Teach-In.

**Dimensions**



	sensor range 9.5 mm	sensor range 25 mm
Standard	1 mm x 4 mm	2 mm x 8.5 mm
Option /A	4 mm x 1 mm	8.5 mm x 2 mm
Option /B	∅ 1.5 mm	∅ 3 mm

**Technical Data**

**General specifications**

Sensor range	9.5 mm ± 3 mm
Light source	LED
Light type	Visible green/red/blue, modulated light
Light spot representation	1 mm x 4 mm
Angle deviation	max. ± 3°
Ambient light limit	
Continuous light	7000 Lux
Teach-In	static Teach-In

**Functional safety related parameters**

MTTF <sub>d</sub>	650 a
Mission Time (T <sub>M</sub> )	20 a
Diagnostic Coverage (DC)	0 %

**Indicators/operating means**

Function indicator	LED yellow; switching operation: lights up if print mark is detected Teach-In operation: flashing slowly alarm display: flashing quickly, if no safe operation is possible
Control elements	Teach-In key

**Electrical specifications**

Operating voltage	U <sub>B</sub>	10 ... 30 V DC
Ripple		10 %
No-load supply current	I <sub>0</sub>	≤ 70 mA

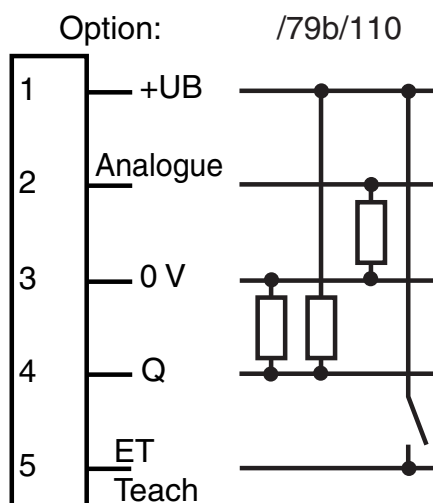
**Input**

Release date: 2022-03-30 Date of issue: 2022-03-30 Filename: 418080\_eng.pdf

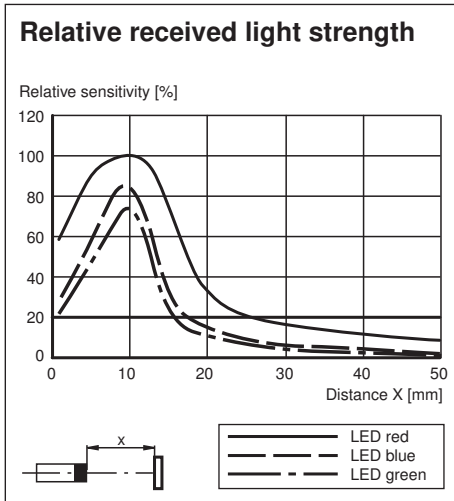
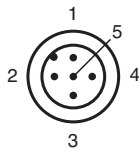
## Technical Data

Function input	Teach-In input
<b>Output</b>	
Switching type	light/dark on switchable, results from the order of the Teach-In
Signal output	Push-pull output, short-circuit protected, reverse polarity protected
Switching voltage	PNP: $\geq (+U_B - 2.5 \text{ V})$ , NPN: $\leq 1.5 \text{ V}$
Switching current	max. 200 mA
Measurement output	Analog output 0.3 ... 10 mA, ( $R_L \leq 600 \text{ Ohm}$ )
Switching frequency	f 16.5 kHz
Response time	30 $\mu\text{s}$
<b>Conformity</b>	
Product standard	EN 60947-5-2
<b>Compliance with standards and directives</b>	
Standard conformity	
Shock and impact resistance	IEC / EN 60068. half-sine, 40 g in each X, Y and Z directions
Vibration resistance	IEC / EN 60068-2-6. Sinus. 10 -150 Hz, 5 g in each X, Y and Z directions
<b>Approvals and certificates</b>	
EAC conformity	TR CU 020/2011
UL approval	cULus Listed , Class 2 power source
CCC approval	CCC approval / marking not required for products rated $\leq 36 \text{ V}$
<b>Ambient conditions</b>	
Ambient temperature	-20 ... 60 °C (-4 ... 140 °F)
Storage temperature	-20 ... 75 °C (-4 ... 167 °F)
<b>Mechanical specifications</b>	
Housing width	33 mm
Housing height	85.6 mm
Housing depth	60.8 mm
Degree of protection	IP67
Connection	5-pin, M12 x 1 connector
Material	
Housing	PC (glass-fiber-reinforced Makrolon)
Optical face	glass
Mass	200 g

## Connection Assignment



## Connection Assignment



## Accessories

	<b>V15-G-5M-PVC</b>	Female cordset single-ended M12 straight A-coded, 5-pin, PVC cable grey
	<b>V15-W-5M-PVC</b>	Female cordset single-ended M12 angled A-coded, 5-pin, PVC cable grey
	<b>OMH-DK</b>	Right-Angled Mounting Bracket
	<b>OMH-DK-1</b>	Flat Mounting Bracket

## Additional Information

### Construction

This device is supplied with a changeable Lens. By interchanging Lens and cover the sensor is able to be modified from a side-looker to a top-looker and vice versa.

### Adjustment

1. Point the light spot to the print mark. With mirroring or shiny object surface the sensor has to be tilt by  $10^{\circ}$  ...  $15^{\circ}$ .
2. Press Teach-In key at the device or apply a positive pulse (UB+) for at least 50 ms to the external Teach-In input. After finishing this first step, the indicator LED flashes slowly (approx. 1 Hz).
3. Point light spot to the underground/background.
4. Press Teach-In key or apply Teach-In signal once more.
5. If Teach-In successful: sensor in switching mod, LED off.  
Alarme-Function: insufficient contrast. No reliable switching operation possible. Indicator LED flashes fast (approx. 4 Hz)
6. Return to switching mode when pressing key

The switching signal level is set automatically to the middle between print mark and background.

If there is the same contrast between mark and background for various transmitter colours, the sensor selects a transmitter colour by random.

For exact contrast evaluation the DK... , as an option, can be delivered with an additional analogue output.