

Background suppression sensor

GLV30-8-H-2407

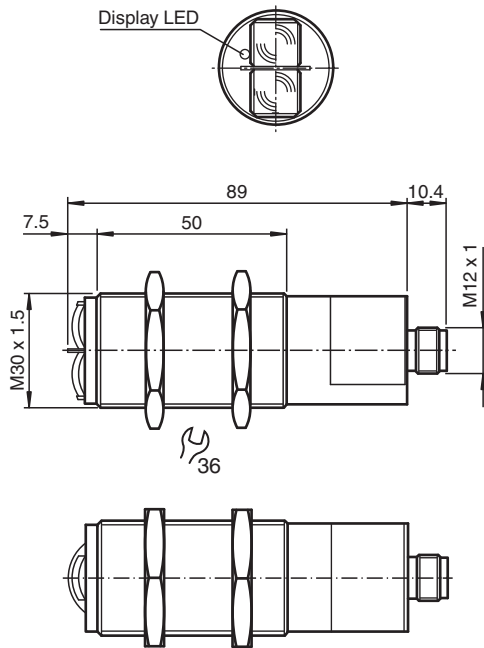


- M30 plastic housing
- Dark-On switching

Background suppression sensor



Dimensions



Technical Data

General specifications

Detection range	50 ... 1000 mm
Background suppression	starts from 2000 mm
Light source	IRED
Light type	modulated infrared light
Black-white difference (6 %/90 %)	< 700 mm
Diameter of the light spot	30 mm at a distance of 1000 mm
Opening angle	$\pm 1^\circ$
Ambient light limit	30000 Lux

Indicators/operating means

Function indicator	LED yellow, lights up if receiver is not lit
--------------------	--

Electrical specifications

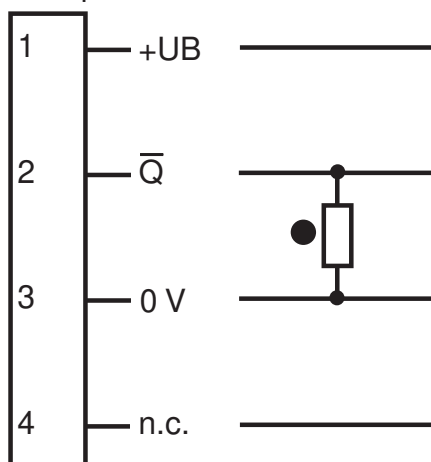
Release date: 2024-07-23 Date of issue: 2024-07-23 Filename: 419286_eng.pdf

Technical Data

Operating voltage	U_B	24 V DC \pm 20 %
Ripple		10 %
No-load supply current	I_0	30 mA
Output		
Switching type		dark-on
Signal output		1 PNP, short-circuit protected, reverse polarity protected, open collector
Switching voltage		max. 30 V DC
Switching current		max. 200 mA
Switching frequency	f	25 Hz
Response time		20 ms
Conformity		
Product standard		EN 60947-5-2
Approvals and certificates		
UL approval		cULus Listed, Class 2 Power Source, Type 1 enclosure
CCC approval		CCC approval / marking not required for products rated \leq 36 V
Ambient conditions		
Ambient temperature		-20 ... 60 °C (-4 ... 140 °F)
Storage temperature		-20 ... 75 °C (-4 ... 167 °F)
Mechanical specifications		
Degree of protection		IP67
Connection		Plastic connector M12 x 1, 4-pin
Material		
Housing		ABS
Optical face		plastic lenses
Mass		approx. 70 g
Dimensions		
Length		89 mm
Diameter		30 mm

Connection Assignment

Option:



- = Light on
- = Dark on

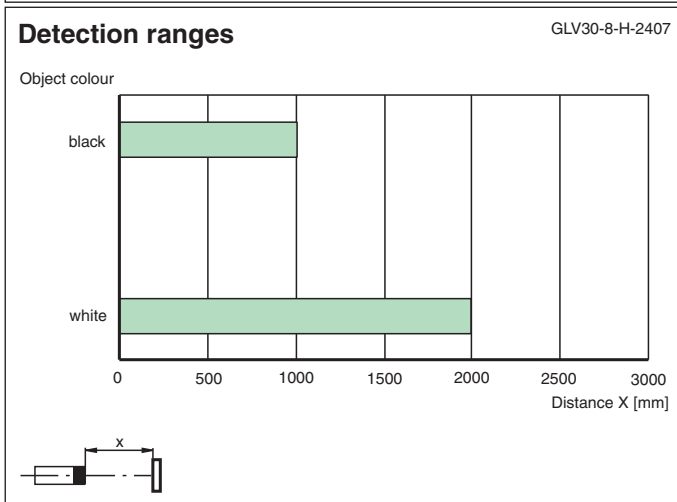
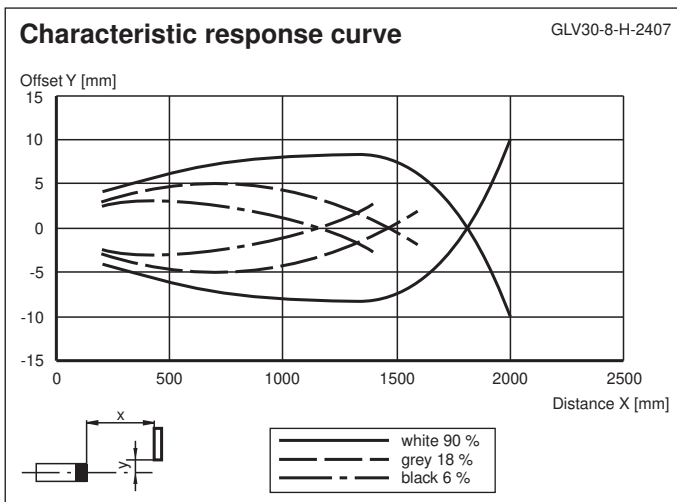
Connection Assignment



Wire colors in accordance with EN 60947-5-2

1	BN	(brown)
2	WH	(white)
3	BU	(blue)
4	BK	(black)

Characteristic Curve



Release date: 2024-07-23 Date of issue: 2024-07-23 Filename: 419286_eng.pdf