

Background suppression sensor

GLV30-8-H-150-IR/47/73c

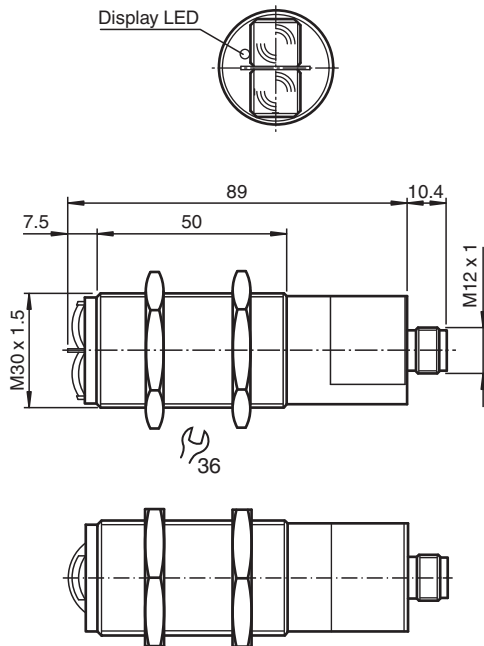


- M30 plastic housing
- Light-on/dark-on switching

Background suppression sensor



Dimensions



Technical Data

General specifications

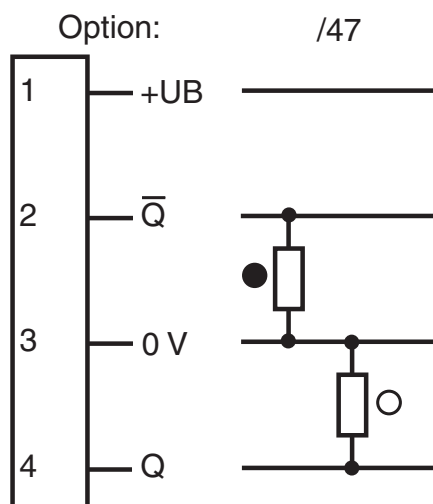
Detection range	20 ... 150 mm
Detection range min.	0 ... 145 mm
Detection range max.	0 ... 170 mm
Background suppression	starts from 180 mm
Light source	IRED
Light type	modulated infrared light
Black-white difference (6 %/90 %)	< 10 mm

Release date: 2024-07-23 Date of issue: 2024-07-23 Filename: 419287_eng.pdf

Technical Data

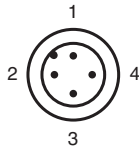
Diameter of the light spot		4 mm at a distance of 150 mm
Opening angle		$\pm 1^\circ$
Ambient light limit		30000 Lux
Indicators/operating means		
Function indicator		LED yellow, lights up if receiver is not lit
Electrical specifications		
Operating voltage	U_B	24 V DC $\pm 20\%$
Ripple		10 %
No-load supply current	I_0	30 mA
Output		
Switching type		light/dark on
Signal output		2 PNP, complementary, short-circuit protected, reverse polarity protected
Switching voltage		max. 30 V DC
Switching current		max. 200 mA
Switching frequency	f	35 Hz
Response time		10 ms
Conformity		
Product standard		EN 60947-5-2
Approvals and certificates		
UL approval		cULus Listed, Class 2 Power Source, Type 1 enclosure
CCC approval		CCC approval / marking not required for products rated ≤ 36 V
Ambient conditions		
Ambient temperature		-20 ... 60 °C (-4 ... 140 °F)
Storage temperature		-20 ... 75 °C (-4 ... 167 °F)
Mechanical specifications		
Degree of protection		IP67
Connection		Plastic connector M12 x 1, 4-pin
Material		
Housing		ABS
Optical face		plastic lenses
Mass		approx. 70 g
Dimensions		
Length		89 mm
Diameter		30 mm

Connection Assignment



- = Light on
- = Dark on

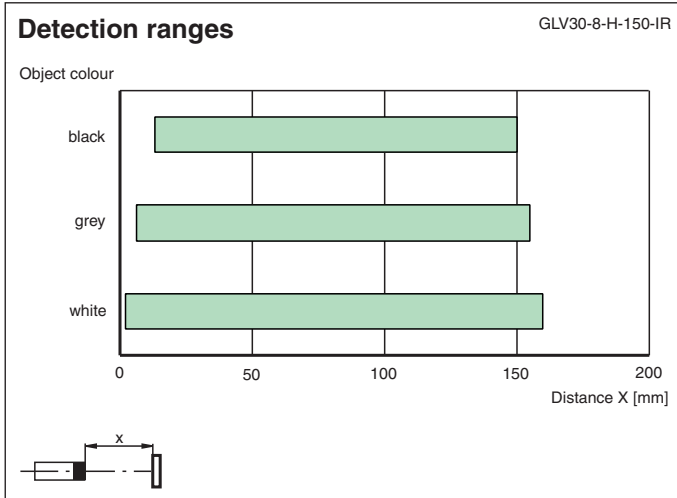
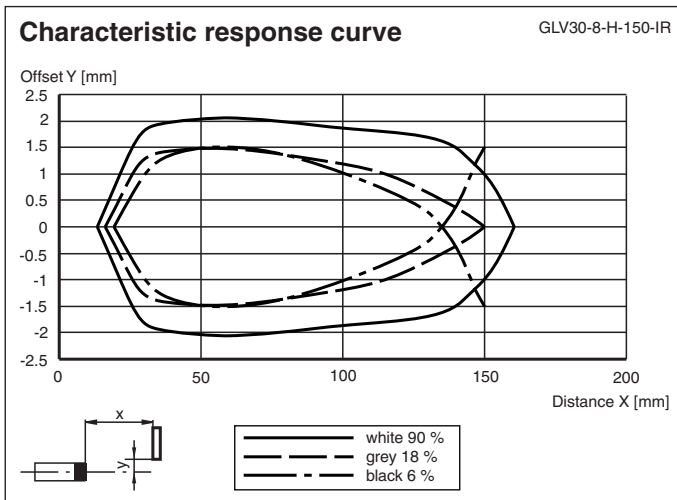
Connection Assignment



Wire colors in accordance with EN 60947-5-2

1	BN	(brown)
2	WH	(white)
3	BU	(blue)
4	BK	(black)

Characteristic Curve



Release date: 2024-07-23 Date of issue: 2024-07-23 Filename: 419287_eng.pdf