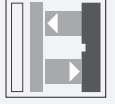




Background suppression sensor

RL23-8-H-1000-IR/47/74b

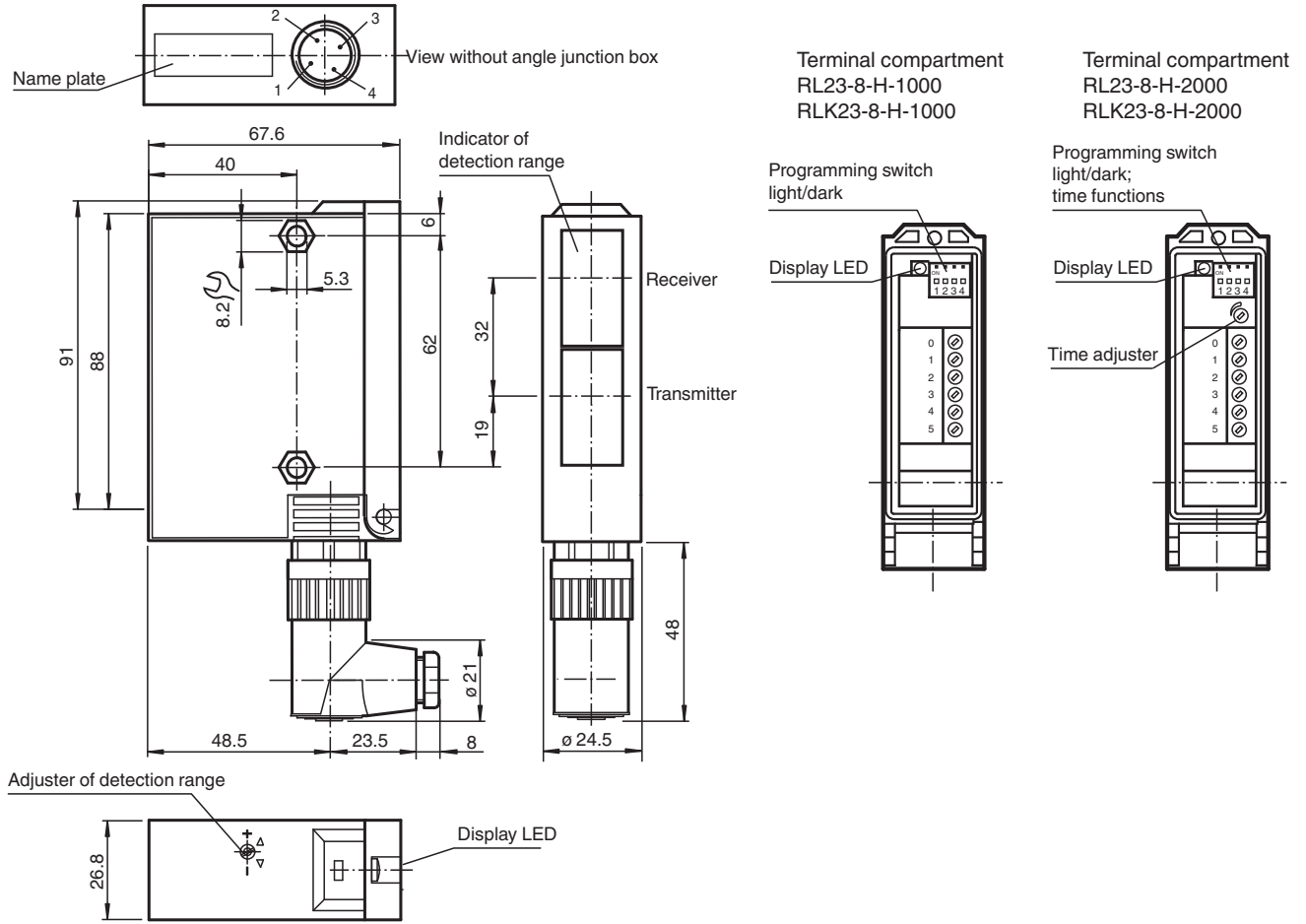


- Adjustable background suppression
- Infrared light
- Sturdy plastic housing
- Optical surface made of scratch-resistant glass

Background suppression sensor



Dimensions



Technical Data

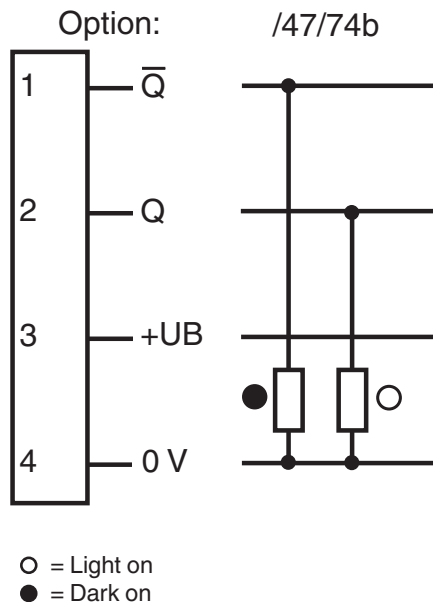
General specifications	
Detection range	50 ... 1000 mm
Detection range min.	50 ... 150 mm
Detection range max.	50 ... 1000 mm
Light source	IRED
Light type	modulated infrared light
Black-white difference (6%/90%)	< 10 %
Diameter of the light spot	25 mm at 1000 mm sensor range
Opening angle	1.5 °
Ambient light limit	12000 Lux
Functional safety related parameters	
MTTF _d	540 a
Mission Time (T _M)	20 a
Diagnostic Coverage (DC)	60 %
Indicators/operating means	
Function indicator	LED yellow, lights up with receiver lit
Control elements	Programming switch for light/dark switching
Control elements	Sensing range adjuster
Electrical specifications	
Operating voltage	U _B 10 ... 30 V DC
Ripple	10 %
No-load supply current	I ₀ 100 mA

Release date: 2022-08-02 Date of issue: 2022-08-03 Filename: 419444_eng.pdf

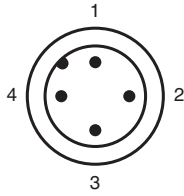
Technical Data

Output		
Switching type		light/dark on
Signal output		2 PNP, complementary, short-circuit protected, reverse polarity protected
Switching voltage		30 V DC
Switching current		max. 200 mA
Switching frequency	f	70 Hz
Response time		5 ms
Conformity		
Product standard		EN 60947-5-2
Approvals and certificates		
EAC conformity		TR CU 020/2011
UL approval		cULus
CCC approval		CCC approval / marking not required for products rated ≤36 V
Ambient conditions		
Ambient temperature		-20 ... 60 °C (-4 ... 140 °F)
Storage temperature		-20 ... 75 °C (-4 ... 167 °F)
Mechanical specifications		
Housing width		26.8 mm
Housing height		91 mm
Housing depth		67.6 mm
Degree of protection		IP65
Connection		Connector M18 x 1, 4-pin with unwired angled cable socket
Material		
Housing		Terluran® GV15
Optical face		glass
Mass		180 g

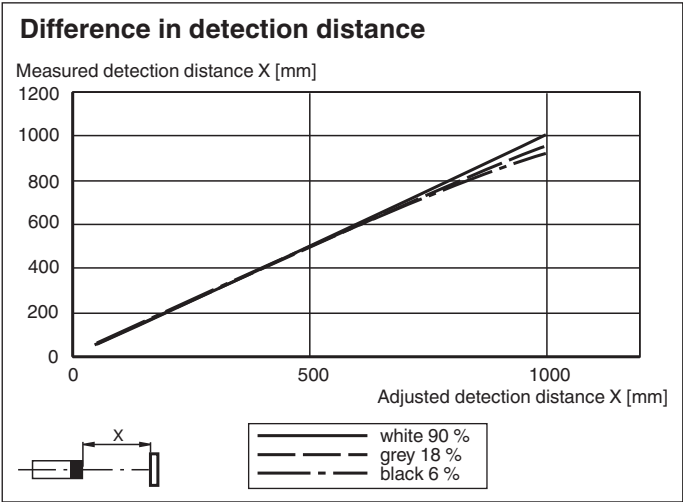
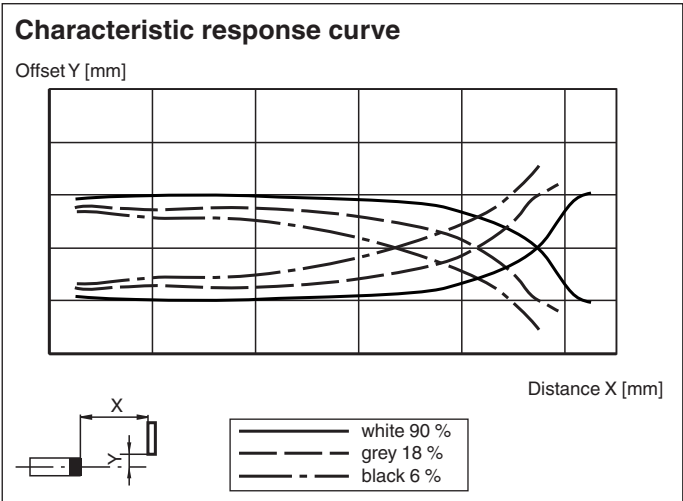
Connection Assignment



Connection Assignment



Characteristic Curve



Accessories

	OMH-05	Mounting aid for round steel \varnothing 12 mm or sheet 1.5 mm ... 3 mm
	OMH-21	Mounting bracket: mounting aid for sensors in the RL* series
	OMH-22	Mounting aid for RL* series
	OMH-RLK29-HW	Mounting bracket for rear wall mounting

Release date: 2022-08-02 Date of issue: 2022-08-03 Filename: 419444_eng.pdf

Light-on/dark-on changeover switch

	Dark on
	Light on