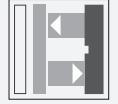




Background suppression sensor RLK23-8-H-500-RT/31/116

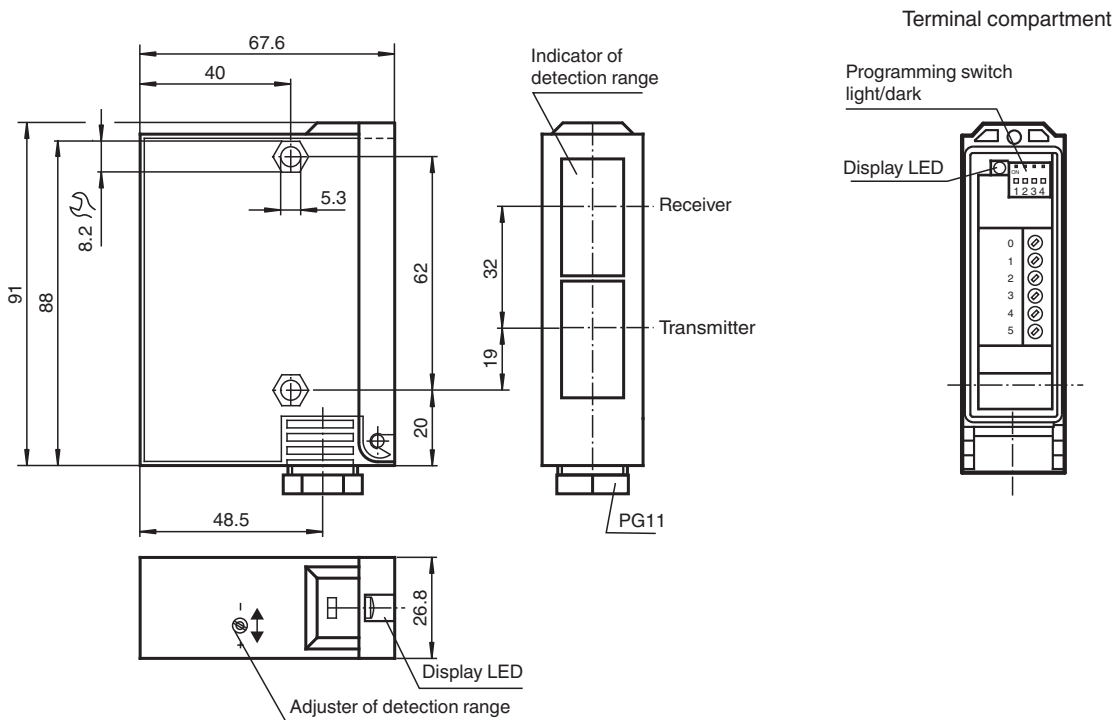


- Adjustable background suppression
- Visible red light
- Sturdy plastic housing
- Optical surface made of scratch-resistant glass

Background suppression sensor



Dimensions



Technical Data

General specifications

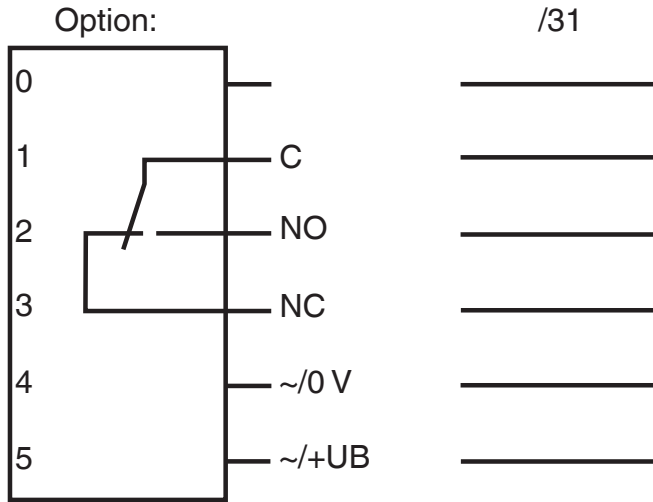
Detection range	50 ... 500 mm
Detection range min.	50 ... 150 mm
Detection range max.	50 ... 500 mm
Light source	LED
Light type	modulated visible red light

Release date: 2024-02-01 Date of issue: 2024-02-02 Filename: 419484_eng.pdf

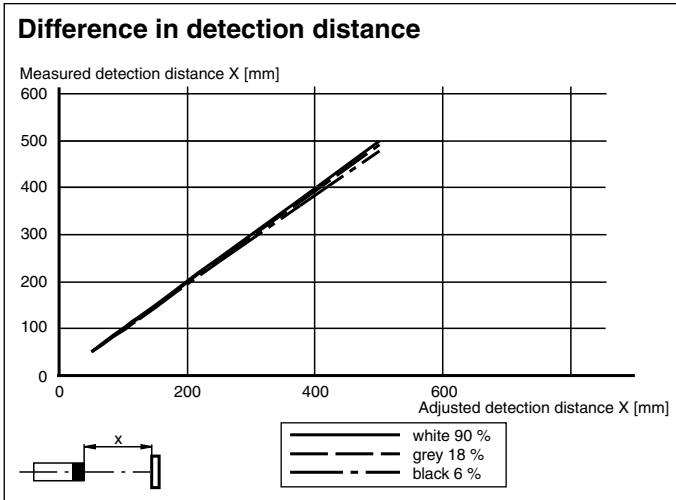
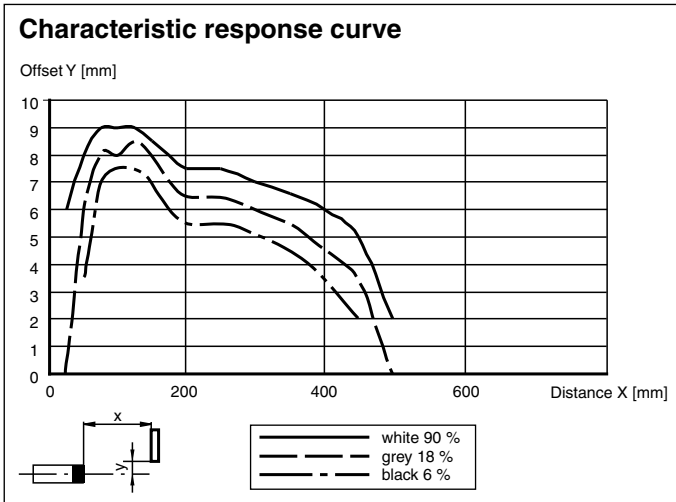
Technical Data

Black-white difference (6 %/90 %)		< 5 %
Diameter of the light spot		12 mm at 500 mm sensor range
Opening angle		1.5 °
Ambient light limit		12000 Lux
Functional safety related parameters		
MTTF _d		850 a
Mission Time (T _M)		20 a
Diagnostic Coverage (DC)		0 %
Indicators/operating means		
Function indicator		LED yellow, lights up with receiver lit
Control elements		Programming switch for light/dark switching
Control elements		Sensing range adjuster
Electrical specifications		
Operating voltage	U _B	12 ... 240 V AC/DC (automatic adaption to +UB)
Power consumption	P ₀	3 VA
Output		
Switching type		light/dark on switchable
Signal output		1 relay, 1 alternator
Switching voltage		max. 240 V AC
Switching current		max. 2 A
Switching frequency	f	10 Hz
Response time		50 ms
Conformity		
Product standard		EN 60947-5-2
Approvals and certificates		
UL approval		cULus
CCC approval		Certified by China Compulsory Certification (CCC)
Ambient conditions		
Ambient temperature		-20 ... 60 °C (-4 ... 140 °F)
Storage temperature		-20 ... 75 °C (-4 ... 167 °F)
Mechanical specifications		
Degree of protection		IP65
Connection		terminal compartment
Material		
Housing		Terluran® GV15
Optical face		glass
Mass		180 g
Dimensions		
Height		91 mm
Width		26.8 mm
Depth		67.6 mm

Connection Assignment



Characteristic Curve



Release date: 2024-02-01 Date of issue: 2024-02-02 Filename: 419484_eng.pdf

Light-on/dark-on changeover switch

 <p>ON 1 2 3 4</p>	Dark on
 <p>ON 1 2 3 4</p>	Light on

Release date: 2024-02-01 Date of issue: 2024-02-02 Filename: 419484_eng.pdf