

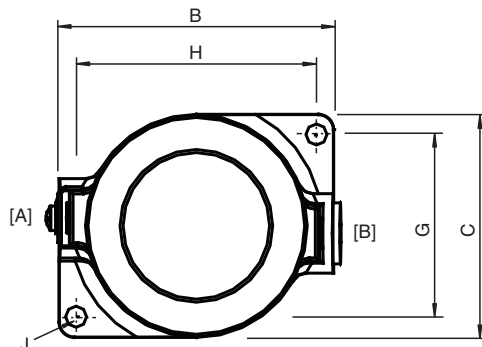
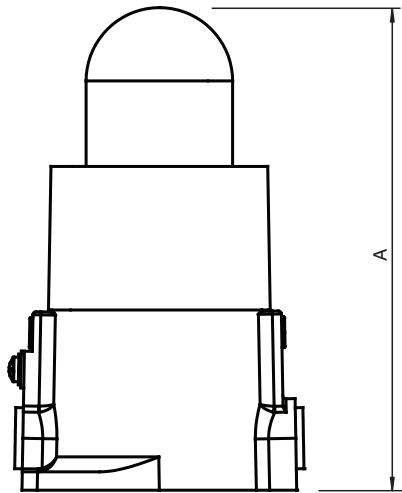
# Ex d Cast Iron Single Status/Indicator Lamp

## E501001

- Glass color: white
- 158 mm x 90 mm x 73 mm
- Cast Iron
- Installation in Zone 1, Zone 2, Zone 21 and Zone 22
- Threaded cable entries
- Ex d certified



## Dimensions



## Technical Data

### Electrical specifications

Operating voltage	220 ... 254 V 50/60 Hz
Operating current	$I_B$ 0.15 A max.

Release date: 2023-01-25 Date of issue: 2023-01-26 Filename: 435856\_eng.pdf

## Technical Data

Terminal capacity	2.5 mm <sup>2</sup>
Lamps	incandescent
Power	15 W
Lampholder	BC type
Function	Signal light
<b>Mechanical specifications</b>	
Cover fixing	threaded joint
Degree of protection	IP65
Cable entry face A	
M20 quantity	1
M20 type	metric ISO pitch 1.5 mm
M20 info	Stopping Plug
Cable entry face B	
M20 quantity	1
M20 type	metric ISO pitch 1.5 mm
Material	
Enclosure	cast iron
Glass	toughened glass
Glass color	white
Finish	cast iron: painted black
Seal	nitrile O-ring
Mass	approx. 2 kg
Dimensions	
External dimension (A)	159 mm
External dimension (B)	89.8 mm
External dimension (C)	78.2 mm
Mounting holes distance (G)	64 mm
Mounting holes distance (H)	78 mm
Mounting holes diameter (J)	6.9 mm
Grounding	internal & external brass grounding terminals on base
<b>Ambient conditions</b>	
Ambient temperature	-40 ... 55 °C (-40 ... 131 °F)
<b>Data for application in connection with hazardous areas</b>	
EU-type examination certificate	CML 21 ATEX 1699
Marking	Ⓔ II 2 GD Ex db IIB T5 Gb, Ex tb IIIC T100°C Db ( ta ... +40°C ) Ex db IIB T4 Gb, Ex tb IIIC T120°C Db ( ta ... +55°C )
<b>International approvals</b>	
IECEx approval	IECEx CML 21.0081
UKCA approval	CML 21 UKEX 1819
<b>Conformity</b>	
Degree of protection	EN 60529
<b>General information</b>	
Supplementary information	EC-Type Examination Certificate, Statement of Conformity, Declaration of Conformity, Attestation of Conformity and instructions have to be observed where applicable. For information see <a href="http://www.pepperl-fuchs.com">www.pepperl-fuchs.com</a> .