

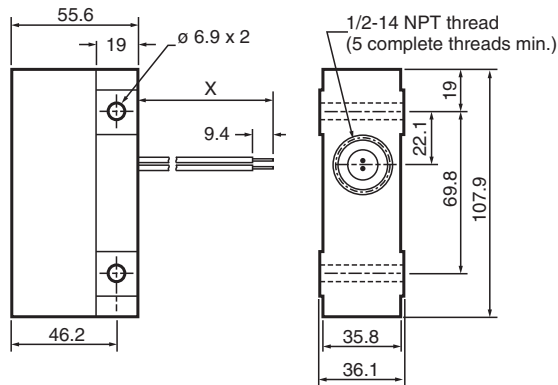
Magnetic field sensor

20FR1-6B

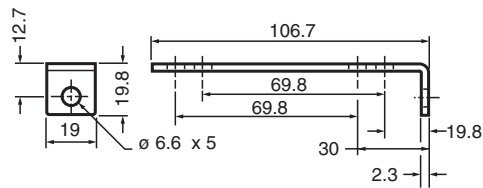
- Magnetically actuated reed switch
- Hermetically sealed contacts
- Heavy duty Aluminum housings

Dimensions

20FR



Mounting bracket (included)



Technical Data

General specifications

Switching function		Normally open (NO)
Output type		Reed Contact
Rated operating distance	s_n	61 mm
Installation		non-flush
Output type		Reed Contact Normally Open
Mechanical life		1 x 10 ⁷ switching cycles

Technical Data

Nominal ratings

Operating voltage	U_B	250 V DC, 1.0 A max, 15 W
Hysteresis	H	typ. 25 % (15.2 mm)
Release point		≤ max. 76 mm

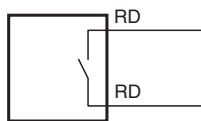
Ambient conditions

Ambient temperature		-25 ... 85 °C (-13 ... 185 °F)
---------------------	--	--------------------------------

Mechanical specifications

Connection type		cable
Core cross section		16 AWG
Housing material		Aluminum
Sensing face		Aluminum
Degree of protection		IP68
Material		
Activation target		21FR1-B
Cable		
Material		PVC
Length	L	1.83 m
Dimensions		
Width		107.9 mm
Length		55.6 mm

Connection



Application

Temperature Effects

Temperature must be taken into consideration when using magnetically operated switches. The sensing ranges given on the following pages are for head-on operations at room temperature (75° F). Sub-zero temperatures can cause permanently reduced sensitivity. Use the following table as a guide for potential sensitivity loss.

Model	Maximum possible sensitivity loss
20FR1-6B	2.03 mm
20FR3-6B	1.52 mm
20FR4-6B	1.52 mm
20FR5-6B	4.95 mm