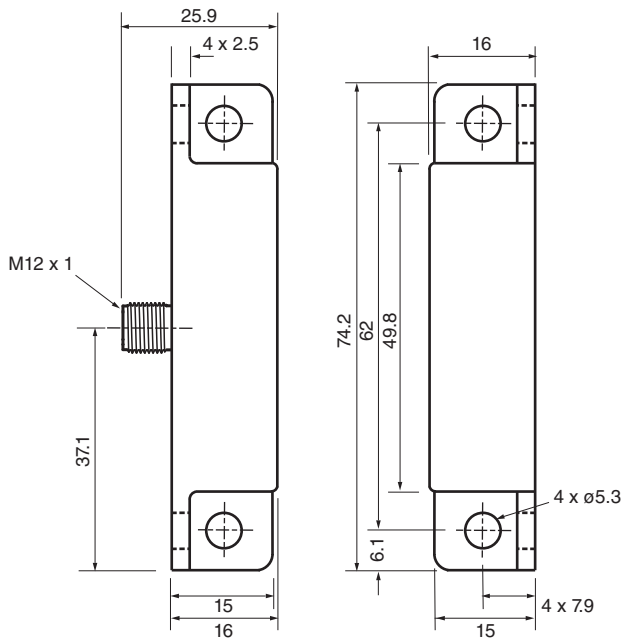


Magnetic field sensor

40FR1-33

- Magnetically actuated reed switch
- AC/DC compatibility
- Hermetically sealed contacts
- Matching permanent magnet

Dimensions



Technical Data

General specifications

Switching function		Normally open (NO)
Output type		Reed Contact
Rated operating distance	s_n	19.8 mm
Installation		non-flush
Output polarity		AC/DC
Output type		2-wire AC/DC
Mechanical life		3×10^7 operations

Nominal ratings

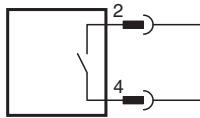
Operating voltage	U_B	100 V DC, 250 mA 115 V AC, 250 mA
Hysteresis	H	typ. 12 % (2.54 mm)

Release date: 2024-10-17 Date of issue: 2024-10-17 Filename: 450022_eng.pdf

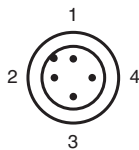
Technical Data

Contact resistance	0.15 Ω
Insulation resistance	min. 100 M Ω at 200 V
Dielectric strength	200 V AC, 60 Hz
Release point	\leq max. 43 mm
Electrical specifications	
Electrical rating	AC supply: 10 VA, 132 V AC, 750 mA DC supply: 10 W, 100 V DC, 300 mA
Ambient conditions	
Ambient temperature	-40 ... 125 °C (-40 ... 257 °F)
Mechanical specifications	
Connection type	Connector plug
Housing material	Polycarbonate
Sensing face	Polycarbonate
Degree of protection	IP68
Connector	
Threading	M12 x 1
Number of pins	4
Dimensions	
Width	16 mm
Depth	16 mm
Length	74.2 mm

Connection



Connection Assignment



Wire colors in accordance with EN 60947-5-2

1	BN	(brown)
2	WH	(white)
3	BU	(blue)
4	BK	(black)