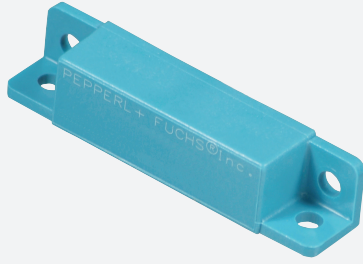


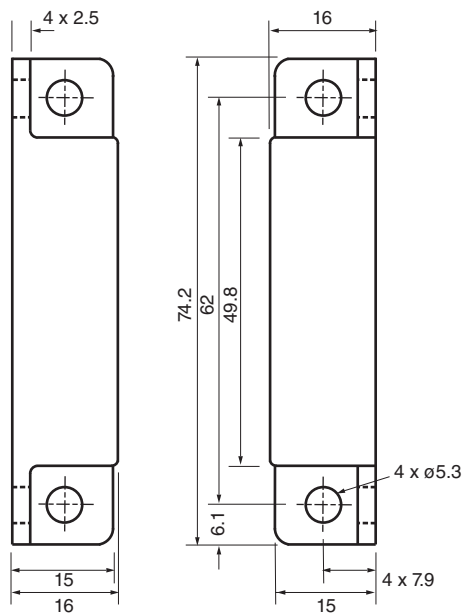
Magnetic actuator

41FR2



- Magnet Actuator
- Compatible with 40FR1.. Series

Dimensions



Technical Data

Nominal ratings

Switching state indicator	NO contact
---------------------------	------------

Ambient conditions

Ambient temperature	-40 ... 125 °C (-40 ... 257 °F)
---------------------	---------------------------------

Mechanical specifications

Housing material	Polycarbonate
Sensing face	Polycarbonate
Degree of protection	IP68
Note	ALNICO magnet