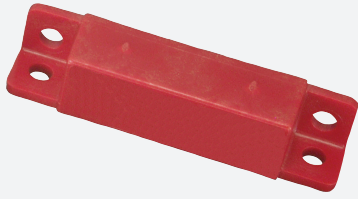


Magnetic Actuation

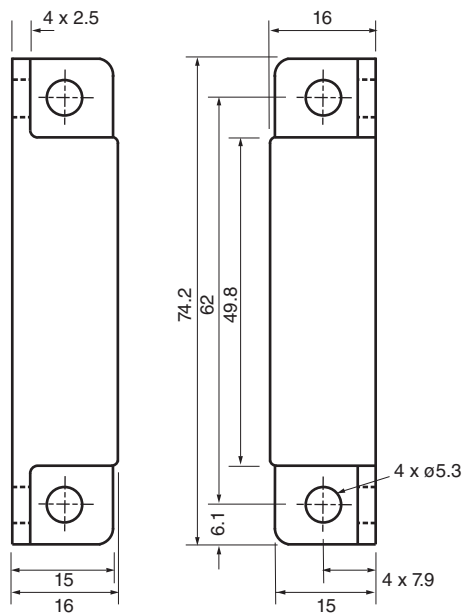
41FY1



- Magnet Actuator
- Compatible with 40FY Series



Dimensions



Technical Data

General specifications

Rated operating distance	s_n	6.4 ... 15.2 mm
--------------------------	-------	-----------------

Nominal ratings

Switching state indicator	NO contact
---------------------------	------------

Standard conformity

Standards	EN 60947-5-2
-----------	--------------

Approvals and certificates

UL approval	cULus Listed Load Type: General Purpose Circuitry: Class 2 Power Source Enclosure Type Rating: Type 1 Supply/Switching Voltage: 30 V DC Output Switching Current: 200 mA
-------------	---

Technical Data**Ambient conditions**

Ambient temperature	-30 ... 70 °C (-22 ... 158 °F)
---------------------	--------------------------------

Mechanical specifications

Housing material	Polycarbonate
------------------	---------------

Sensing face	Polycarbonate
--------------	---------------

Degree of protection	IP67
----------------------	------

Dimensions

Width	16 mm
-------	-------

Depth	16 mm
-------	-------

Length	74.2 mm
--------	---------