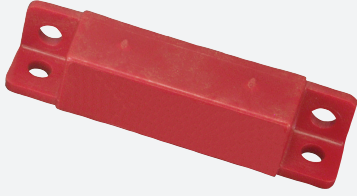


Magnetic Actuation

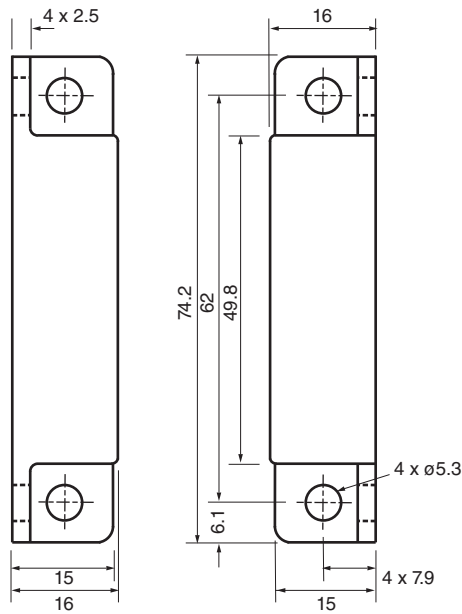
41FY2



- Magnet Actuator
- Compatible with 40FY Series



Dimensions



Technical Data

General specifications

Rated operating distance s_n 8 ... 19 mm

Nominal ratings

Switching state indicator NO contact

Standard conformity

Standards EN 60947-5-2

Approvals and certificates

UL approval
cULus Listed
Load Type: General Purpose
Circuitry: Class 2 Power Source
Enclosure Type Rating: Type 1
Supply/Switching Voltage: 30 V DC
Output Switching Current: 200 mA

Technical Data**Ambient conditions**

Ambient temperature	-30 ... 70 °C (-22 ... 158 °F)
---------------------	--------------------------------

Mechanical specifications

Housing material	Polycarbonate
------------------	---------------

Sensing face	Polycarbonate
--------------	---------------

Degree of protection	IP67
----------------------	------

Dimensions

Width	16 mm
-------	-------

Depth	16 mm
-------	-------

Length	74.2 mm
--------	---------