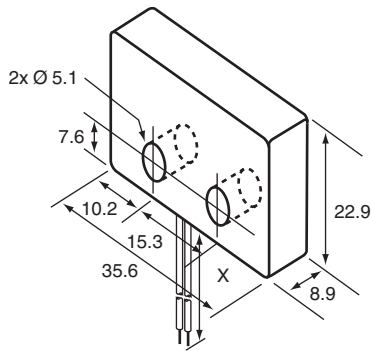


## Magnetic field sensor 50FR2-3-1

- Magnetically actuated reed switch
- Hermetically sealed contacts
- AC/DC compatibility
- Matching permanent magnet

### Dimensions



### Technical Data

#### General specifications

Switching function		Normally open (NO)
Output type		Reed Contact
Rated operating distance	$s_n$	11.4 mm
Installation		non-flush
Output polarity		AC/DC
Output type		2-wire AC/DC
Mechanical life		$3 \times 10^7$ operations

#### Nominal ratings

Operating voltage	$U_B$	100 V DC, 250 mA 115 V AC, 250 mA
Hysteresis	H	22 ... 145 %
Contact resistance		0.2 $\Omega$
Insulation resistance		min. 100 M $\Omega$ at 200 V DC
Dielectric strength		200 V AC, 60 Hz
Release point		max. 17.8 mm

#### Electrical specifications

Electrical rating		AC supply: 10 VA, 132 V AC, 750 mA DC supply: 10 W, 100 V DC, 300 mA
-------------------	--	-------------------------------------------------------------------------

#### Ambient conditions

Release date: 2024-10-17 Date of issue: 2024-10-17 Filename: 450065\_eng.pdf

## Technical Data

Ambient temperature	-40 ... 125 °C (-40 ... 257 °F)
<b>Mechanical specifications</b>	
Connection type	cable PVDF , 914 mm
Core cross section	0.5 mm <sup>2</sup>
Housing material	Phenolic
Sensing face	Phenolic
Degree of protection	IP68
<b>Dimensions</b>	
Height	8.9 mm
Width	35.6 mm
Depth	22.9 mm

## Connection

