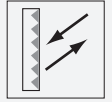


Reflector FE-RR1

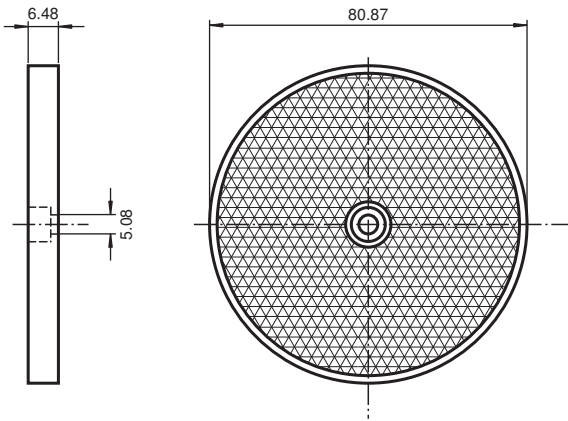
- Mounting holes for simple installation
- Round, corner-cube reflector



Reflector, round \varnothing 80.87 mm, central mounting hole



Dimensions



Technical Data

General specifications

Construction type circular

Ambient conditions

Ambient temperature -20 ... 85 °C (-4 ... 185 °F)

Mechanical specifications

Material PMMA/ABS

Dimensions Diameter: 80.87 mm

Mounting mounting hole