



## Photoelectric base modul, Accessories

### MPS32HD

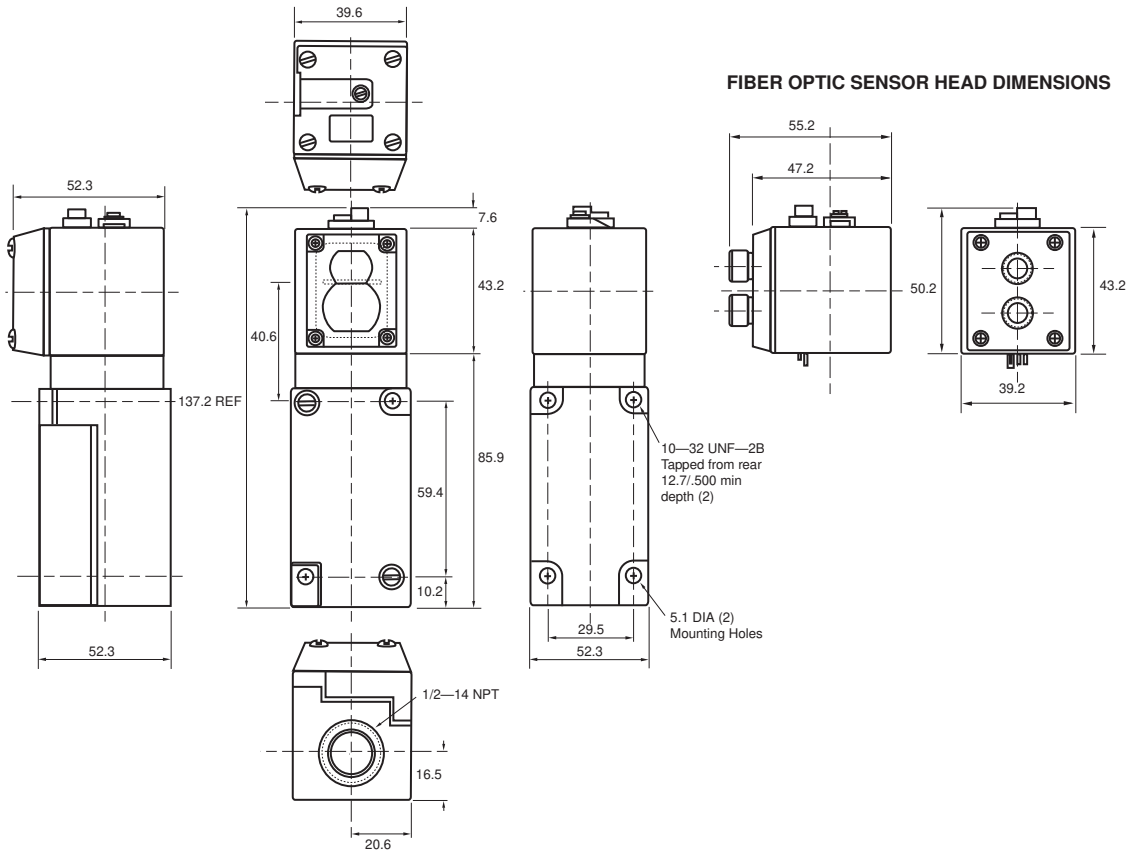
- Plug-In base
- Harsh duty
- Modular design
- Exchangeable rotatable head
- Limit switch and mini style plug-in bases
- Screw terminal, preleaded, and connector version receptacles
- Withstands 1200 psi washdown
- IP69K
- DC model

Photoelectric Sensors; MP Series Modular

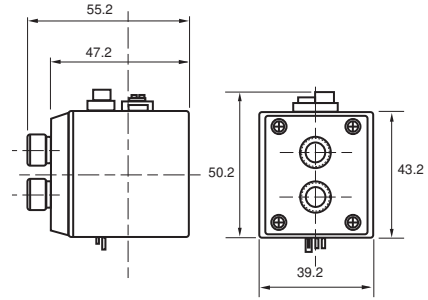


Dimensions

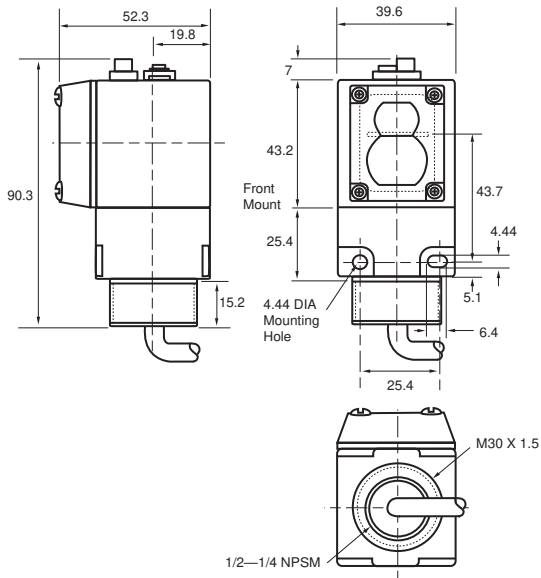
SENSOR HEAD, BASE AND RECEPTACLE DIMENSIONS



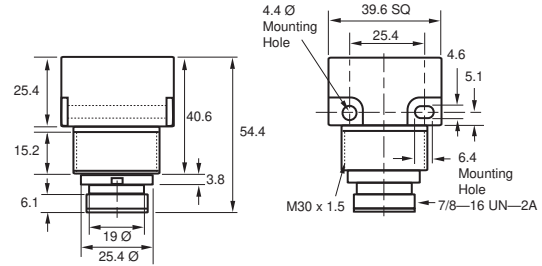
FIBER OPTIC SENSOR HEAD DIMENSIONS



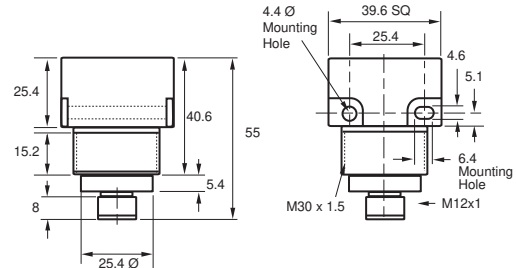
SENSOR HEAD WITH MINI RELAY BASE DIMENSIONS



QUICK DISCONNECT MINI BASE DIMENSIONS



QUICK DISCONNECT MICRO BASE DIMENSIONS



Technical Data

General specifications

Marking CE

Electrical specifications

Operating voltage  $U_B$  10 ... 30 V DC

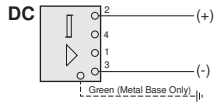
Release date: 2024-07-10 Date of issue: 2024-07-10 Filename: 454459\_eng.pdf

## Technical Data

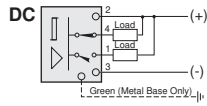
|                                   |       |  |
|-----------------------------------|-------|--|
| Operating current                 | $I_B$ | 250 mA max                                       |
| <b>Output</b>                     |       |  |
| Voltage drop                      | $U_d$ | $\leq 1.0$ V DC                                  |
| Current consumption               |       | $\leq 25$ mA                                     |
| Response time                     |       | $\leq 10$ ms                                     |
| <b>Output 1</b>                   |       |  |
| Output type                       |       | DC   |
| <b>Output 2</b>                   |       |  |
| Output type                       |       | 1 PNP, Reverse polarity protected                |
| <b>Standard conformity</b>        |       |  |
| Standards                         |       | EN 60947-5-2                                     |
| <b>Approvals and certificates</b> |       |  |
| Approvals                         |       | CE, cULus  |
| <b>Ambient conditions</b>         |       |  |
| Ambient temperature               |       | -30 ... 70 °C (-22 ... 158 °F)                   |
| Storage temperature               |       | -55 ... 85 °C (-67 ... 185 °F)                   |
| Relative humidity                 |       | 95% RH (non-condensing)                          |
| Shock resistance                  |       | 50G  |
| Vibration resistance              |       | 10G, 10 ... 500 Hz                               |
| <b>Mechanical specifications</b>  |       |  |
| Degree of protection              |       | IP69K When all components are properly assembled |
| Connection                        |       | Dependent on receptacle selected                 |
| <b>Material</b>                   |       |  |
| Housing                           |       | Glass-filled Polysulfone                         |
| <b>Dimensions</b>                 |       |  |
| Height                            |       | 85.9 mm  |
| Width                             |       | 39.6 mm  |
| Depth                             |       | 52.3 mm  |

**Connection**

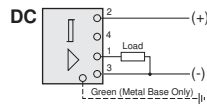
**Model: MPS30HD**



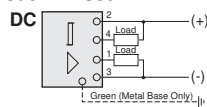
**Model: MPS31HD**



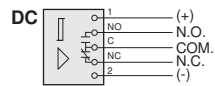
**Model: MPS32HD**



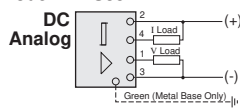
**Model: MPS33HD**



**Model: MPV31HD**



**Model: MPS35HD**



Release date: 2024-07-10 Date of issue: 2024-07-10 Filename: 454459\_eng.pdf

## Additional Information

NOTE: Total response time is the sum of the sensor head and base response times.