

Photoelectric base modul, Accessories

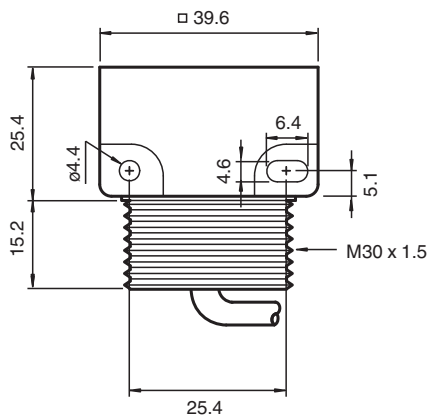
MPT31HD

- Harsh duty
- Withstands 1200 psi washdown

Photoelectric Sensors; MP Series Modular



Dimensions



Technical Data

General specifications

Marking CE

Electrical specifications

Operating voltage U_B 10 ... 30 V DC

Operating current I_B 250 mA max

Output

Voltage drop U_d ≤ 1 V DC

Current consumption ≤ 25 mA

Response time ≤ 10 μ s

Output 1

Output type DC

Output 2

Output type 1 NPN

Standard conformity

Standards EN 60947-5-2

Approvals and certificates

Approvals CE, cULus

Ambient conditions

Ambient temperature $-30 \dots 70$ °C ($-22 \dots 158$ °F)

Storage temperature $-55 \dots 85$ °C ($-67 \dots 185$ °F)

Relative humidity 95% RH (non-condensing)

Shock resistance 50G

Release date: 2024-07-10 Date of issue: 2024-07-10 Filename: 454485_eng.pdf

Technical Data

Vibration resistance	10G, 10 ... 500 Hz
Mechanical specifications	
Degree of protection	IP69K
Connection	2-meter PVC cable
Material	
Housing	Glass-filled Polysulfone
Dimensions	
Height	55 mm
Width	39.6 mm
Depth	39.6 mm

Connection Assignment

