

Photoelectric base modul, Accessories

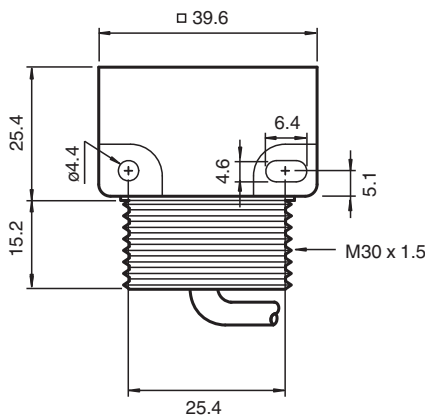
MPT32HD

- Harsh duty
- Withstands 1200 psi washdown

Photoelectric Sensors; MP Series Modular



Dimensions



Technical Data

General specifications			
Marking			CE
Electrical specifications			
Operating voltage	U_B	10 ... 30 V DC	
Operating current	I_B	250 mA max	
Output			
Voltage drop	U_d	≤ 1 V DC	
Current consumption		≤ 25 mA	
Response time		≤ 10 μ s	
Output 1			
Output type		DC	
Output 2			
Output type		1 PNP	
Standard conformity			
Standards		EN 60947-5-2	
Approvals and certificates			
Approvals		CE, cULus	
Ambient conditions			
Ambient temperature		-30 ... 70 °C (-22 ... 158 °F)	
Storage temperature		-55 ... 85 °C (-67 ... 185 °F)	
Relative humidity		95% RH (non-condensing)	
Shock resistance		50G	

Release date: 2024-07-10 Date of issue: 2024-07-10 Filename: 454486_eng.pdf

Technical Data

Vibration resistance	10G, 10 ... 500 Hz
Mechanical specifications	
Degree of protection	IP69K
Connection	2-meter PVC cable
Material	
Housing	Glass-filled Polysulfone
Dimensions	
Height	55 mm
Width	39.6 mm
Depth	39.6 mm

Connection Assignment

