

Photoelectric base modul, Accessories

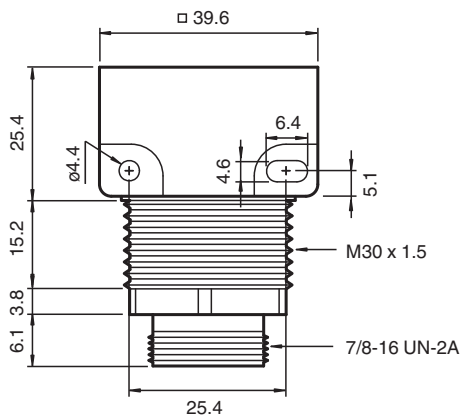
MPT42HD

- Harsh duty
- Withstands 1200 psi washdown

Photoelectric Sensors; MP Series Modular



Dimensions



Technical Data

General specifications

Marking	CE
---------	----

Electrical specifications

Operating voltage	U_B	10 ... 30 V DC
Operating current	I_B	250 mA max

Output

Voltage drop	U_d	≤ 1 V DC
Current consumption		≤ 25 mA
Response time		≤ 10 μ s

Output 1

Output type	DC
-------------	----

Output 2

Output type	1 PNP, Reverse polarity protected
-------------	-----------------------------------

Standard conformity

Standards	EN 60947-5-2
-----------	--------------

Approvals and certificates

Approvals	CE, cULus
-----------	-----------

Ambient conditions

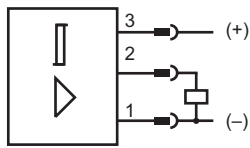
Ambient temperature	-30 ... 70 °C (-22 ... 158 °F)
Storage temperature	-55 ... 85 °C (-67 ... 185 °F)
Relative humidity	95% RH (non-condensing)
Shock resistance	50G

Release date: 2024-07-10 Date of issue: 2024-07-10 Filename: 454498_eng.pdf

Technical Data

Vibration resistance	10G, 10 ... 500 Hz
Mechanical specifications	
Degree of protection	IP69K
Connection	V94 connector
Material	
Housing	Glass-filled Polysulfone
Dimensions	
Height	55 mm
Width	39.6 mm
Depth	39.6 mm

Connection Assignment



Connection Assignment



Wire colors

1	BK
2	WH
3	RD