



Photoelectric base modul, Accessories

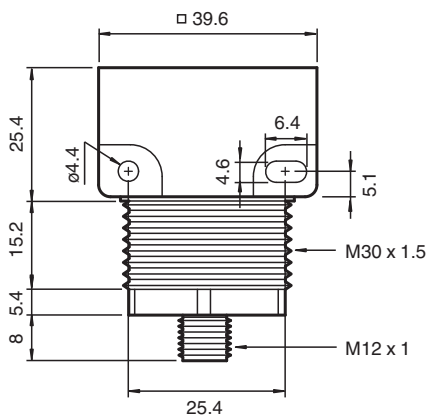
MPT42HD-CM

- Harsh duty
- Withstands 1200 psi washdown

Photoelectric Sensors; MP Series Modular



Dimensions



Technical Data

General specifications		
Marking		CE
Electrical specifications		
Operating voltage	U_B	10 ... 30 V DC
Operating current	I_B	250 mA max
Output		
Voltage drop	U_d	≤ 1 V DC
Current consumption		≤ 25 mA
Response time		≤ 10 μ s
Output 1		
Output type		DC
Output 2		
Output type		1 PNP, Reverse polarity protected
Standard conformity		
Standards		EN 60947-5-2
Approvals and certificates		
Approvals		CE, cULus

Release date: 2024-07-10 Date of issue: 2024-07-10 Filename: 454500_eng.pdf

Technical Data

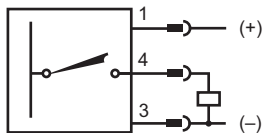
Ambient conditions

Ambient temperature	-30 ... 70 °C (-22 ... 158 °F)
Storage temperature	-55 ... 85 °C (-67 ... 185 °F)
Relative humidity	95% RH (non-condensing)
Shock resistance	50G
Vibration resistance	10G, 10 ... 500 Hz

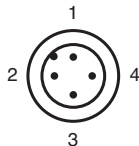
Mechanical specifications

Degree of protection	IP69K
Connection	V1-connector
Material	
Housing	Glass-filled Polysulfone
Dimensions	
Height	55 mm
Width	39.6 mm
Depth	39.6 mm

Connection Assignment



Connection Assignment



Wire colors in accordance with EN 60947-5-2

1	BN	(brown)
2	WH	(white)
3	BU	(blue)
4	BK	(black)