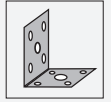


Mounting aid MPZB06



- Mounting bracket
- Adjustable Bracket

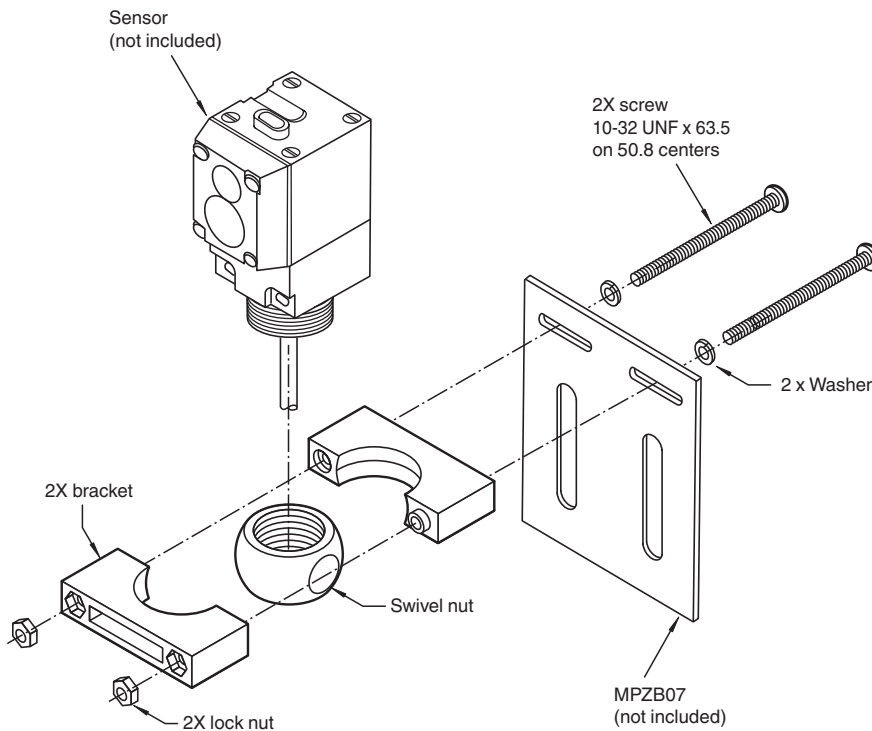
Ball and Swivel Mounting Bracket



Function

The basic ball and swivel mounting bracket (360° swivel, 10° tilt) consists of two plastic brackets and the spherical plastic swivel nut. The swivel nut has M30 threading for direct installation on the sensor's base, including on quick disconnect versions. The bracket can be directly mounted to a surface, or the MPZB07 mounting plate may be used.

Dimensions



Release date: 2020-06-30 Date of issue: 2020-06-30 Filename: 454518_eng.pdf

Technical Data**Mechanical specifications**

Material	plastic
Mass	approx. 830 g

Suitable series

Series	Series 61 , MP Series
--------	-----------------------