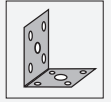


Mounting aid MPZB07

■ Mounting bracket



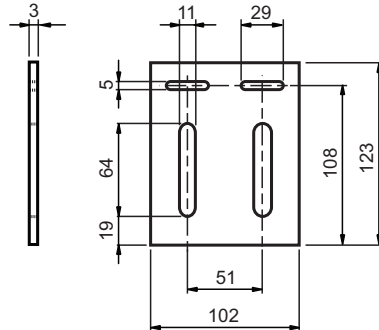
Ball and Swivel Vertical Mounting Plate



Function

This mounting bracket can be used with the MPZB06 (ball and swivel mounting bracket) to mount a sensor directly to a surface.

Dimensions



Technical Data

Mechanical specifications

Material	metal
Mass	approx. 230 g

Suitable series

Series	Series 61 , MP Series
--------	-----------------------