

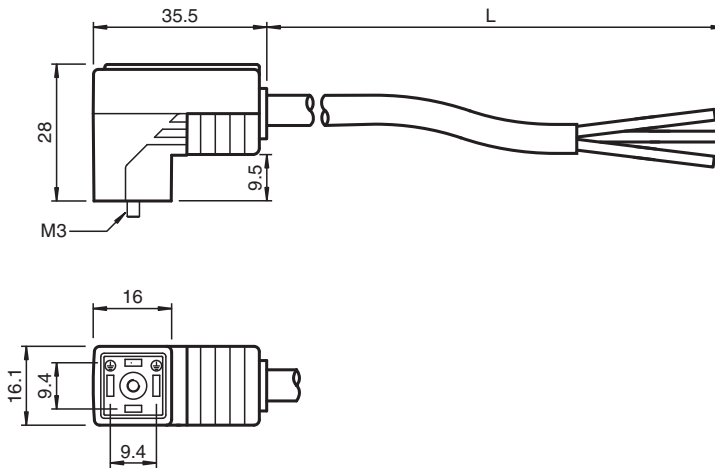
Valve Connector Cordset VMCI-2+P-5M-PUR

- Moulded seal
- freely selectable cable models due to bridged protective earth
- Suitable for drag chains and abrasion resistant
- Flame resistant cable
- Halogen-free
- Oil resistant
- Immunity to vibration

Valve connector Form C (Ind), 2-pin+PE, PUR cable black, drag chain suitable



Dimensions



Technical Data

General specifications			
Connector 1			
Connection			Valve connector industrial version
Construction type			form C (Ind)
Style			angled
Locking			screw connection
Number of pins			2 + PE
Connector 2			
Connection			cable end
Customization			sheath stripped 50 mm
Electrical specifications			
Operating voltage	U_B		max. 230 V AC/DC
Operating current	I_B		max. 6 A
Conformity			
Degree of protection			EN 60529
Plug connection			Valve connector : on the basis of DIN EN 175301-803
Flammability			DIN VDE 0482 , DIN EN 50265-2-1 , UL 94

Release date: 2025-02-09 Date of issue: 2025-02-10 Filename: 456856_eng.pdf

Technical Data

Halogen-free		DIN VDE 0472-815
UV resistance		DIN EN ISO 4892-2-A
Oil resistance		DIN EN 60811-2-1
Ambient conditions		
Ambient temperature		
Plug connector		-20 ... 85 °C (-4 ... 185 °F)
Cable, fixed installation		-40 ... 80 °C (-40 ... 176 °F)
Cable, flexing		-20 ... 80 °C (-4 ... 176 °F)
Pollution degree		3
Mechanical specifications		
Plug connector		
Tightening torque		0.6 Nm
Tool installation		screw M3 x 29
Mating cycles		min. 100
Degree of protection		IP65 / IP67
Cable		
Sheath diameter		4.5 mm
Bending radius		> 10 x cable diameter, movable installation > 5 x cable diameter, fixed installation
Sheath color		black (similar to RAL 7021)
Number of cores		3
Core cross section		0.5 mm ²
Cores color		Core 1: black 1 Core 2: black 2 Core PE: green/yellow
Core construction		28 x 0.15 mm Ø
Length	L	5 m
Cable code		Li 9Y 11Y 3 x 0,50
Drag chain suitability		
Drag chain cycles		min. 15000000
Motion velocity		max. 5 m/s
Traverse distance		0.9 m
Acceleration		max. 30 m/s ²
Mass		152 g
Material		
Halogen-free		yes
Plug connector		
Body		TPU, black
Seal		TPU , molded
Contact surface		Sn
Flammability		V-0
Cable		
Sheathing		PUR
Cores		bare copper (Cu)
Core insulation		PP
UV resistance		yes
Oil resistance		good
Flammability		V-0

Connection