

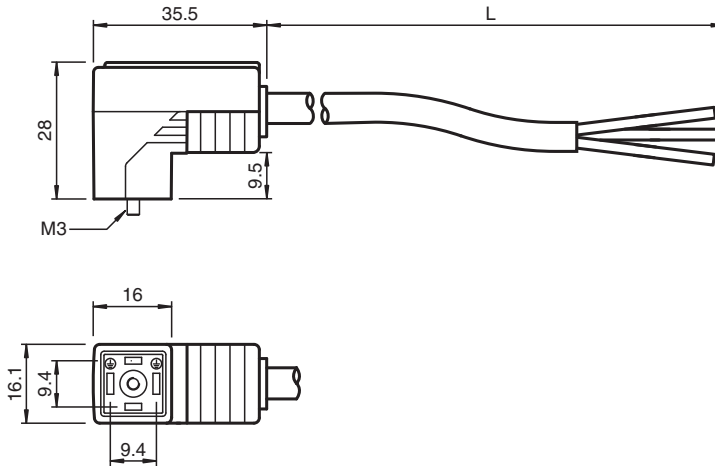
Valve Connector Cordset VMCI-2+P/Z2-5M-PUR

- Z diode as a protective circuit
- Built-in LED, as operating and function indicator
- Moulded seal
- freely selectable cable models due to bridged protective earth
- Suitable for drag chains and abrasion resistant
- Flame resistant cable
- Halogen-free
- Oil resistant
- Immunity to vibration

Valve connector Form C (Ind), Z-diode LED 2-pin+PE, PUR cable black, drag chain suitable



Dimensions



Technical Data

General specifications

Connector 1	
Connection	Valve connector industrial version
Construction type	form C (Ind)
Style	angled
Locking	screw connection
Number of pins	2 + PE
Connector 2	
Connection	cable end
Customization	sheath stripped 50 mm

Indicators/operating means

LED yellow	Operating display
------------	-------------------

Electrical specifications

Operating voltage	U_B	24 V AC/DC
Operating current	I_B	max. 4 A
Suppression	Zener diode	

Conformity

Release date: 2025-02-09 Date of issue: 2025-02-10 Filename: 456859_eng.pdf

Technical Data

Degree of protection	EN 60529
Plug connection	Valve connector : on the basis of DIN EN 175301-803
Flammability	DIN VDE 0482 , DIN EN 50265-2-1 , UL 94
Halogen-free	DIN VDE 0472-815
UV resistance	DIN EN ISO 4892-2-A
Oil resistance	DIN EN 60811-2-1
Ambient conditions	
Ambient temperature	
Plug connector	-20 ... 85 °C (-4 ... 185 °F)
Cable, fixed installation	-40 ... 80 °C (-40 ... 176 °F)
Cable, flexing	-20 ... 80 °C (-4 ... 176 °F)
Pollution degree	3
Mechanical specifications	
Plug connector	
Tightening torque	0.6 Nm
Tool installation	screw M3 x 29
Mating cycles	min. 100
Degree of protection	IP65 / IP67
Cable	according to IEC/EN 60228 (DIN VDE 0295) class 5
Sheath diameter	4.5 mm
Bending radius	> 10 x cable diameter, movable installation > 5 x cable diameter, fixed installation
Sheath color	black (similar to RAL 7021)
Number of cores	3
Core cross section	0.5 mm ²
Cores color	Core 1-4: black Core 2-3: black Core PE-5: green/yellow
Core construction	28 x 0.15 mm Ø
Length	L 5 m
Cable code	Li 9Y 11Y 3 x 0,50
Drag chain suitability	
Drag chain cycles	min. 15000000
Motion velocity	max. 5 m/s
Traverse distance	0.9 m
Acceleration	max. 30 m/s ²
Mass	164 g
Material	
Halogen-free	yes
Plug connector	
Body	TPU, black
Seal	TPU , molded
Contact surface	Sn
Flammability	V-0
Cable	
Sheathing	PUR
Cores	bare copper (Cu)
Core insulation	PP
UV resistance	yes
Oil resistance	good
Flammability	V-0

Connection