



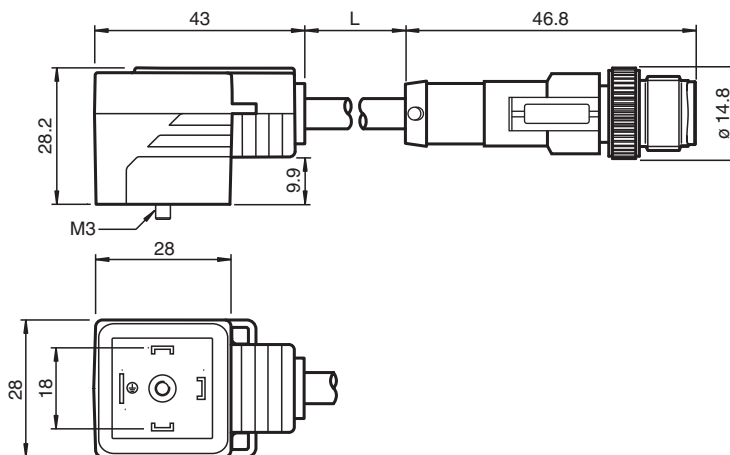
Valve Connector Cordset VMA-3+P/L1-1M-PUR-V1-G

- Valve connector according EN 175301-803 A/ISO 4400
- Built-in LED, as operating and function indicator
- Suitable for drag chains and abrasion resistant
- Moulded seal
- Flame resistant cable
- Free of paint wetting interfering substances
- Completely halogen and silicon free
- Resistant to microbes and hydrolysis
- Oil resistant
- Immunity to vibration

Valve connector Form A, 3-pin+PE 2x LED to M12 plug straight A-coded 5-pin, PUR cable black, drag chain suitable



Dimensions



Technical Data

General specifications

Connector 1	
Connection	Valve connector DIN
Construction type	form A
Style	angled
Locking	screw connection
Number of pins	3 + PE
Connector 2	
Connection	plug
Construction type	M12
Style	straight
Locking	screw connection
Number of pins	5
Coding	A-coded
Indicators/operating means	
LED green	Operating display

Release date: 2025-02-09 Date of issue: 2025-02-10 Filename: 456870_eng.pdf

Technical Data

LED red		Functional display
Electrical specifications		
Operating voltage	U _B	24 V AC/DC
Operating current	I _B	max. 4 A
Conformity		
Degree of protection		EN 60529
Plug connection		Valve connector : DIN EN 175301-803 connector M12 x 1 : IEC 61076-2-101
Flammability		UL 94
Halogen-free		DIN VDE 0472-815
UV resistance		DIN EN ISO 4892-2-A
Oil resistance		DIN EN 60811-2-1
Ambient conditions		
Ambient temperature		
Connector 1		-20 ... 85 °C (-4 ... 185 °F)
Connector 2		-25 ... 90 °C (-13 ... 194 °F)
Cable, fixed installation		-40 ... 80 °C (-40 ... 176 °F)
Cable, flexing		-20 ... 80 °C (-4 ... 176 °F)
Pollution degree		3
Mechanical specifications		
Connector 1		
Tightening torque		0.6 Nm
Tool installation		screw M3 x 29
Mating cycles		min. 100
Connector 2		
Tightening torque		0.6 Nm
Tool installation		straight knurling
Mating cycles		min. 100
Degree of protection		IP65 / IP67
Cable		according to IEC/EN 60228 (DIN VDE 0295) class 5
Sheath diameter		5.3 mm
Bending radius		> 10 x cable diameter, movable installation > 5 x cable diameter, fixed installation
Sheath color		black (similar to RAL 7021)
Number of cores		5
Core cross section		0.5 mm ²
Cores color		Core 1-1: black Core 2-2: black Core 3-4: black Core 2-3/3-3: black Core PE-5: green/yellow
Core construction		28 x 0.15 mm Ø
Length	L	1 m
Cable code		Li 9Y 11Y 5 x 0,50
Drag chain suitability		
Drag chain cycles		min. 15000000
Motion velocity		max. 5 m/s
Traverse distance		0.9 m
Acceleration		max. 30 m/s ²
Mass		77.23 g
Material		
PWIS free		yes
Halogen-free		yes
Connector 1		
Body		TPU, black

Technical Data

Seal	TPU , molded
Contact surface	Sn
Flammability	V-0
Connector 2	
Screw connection	Zinc diecast, nickel-plated
Body	TPU, black
Contact surface	Ni/Au
Flammability	HB
Cable	
Sheathing	PUR
Cores	bare copper (Cu)
Core insulation	PP
UV resistance	yes
Chemical resistance	good
Oil resistance	good
Microbial resistance	yes
Hydrolysis resistance	yes
Flammability	V-0

Connection

