



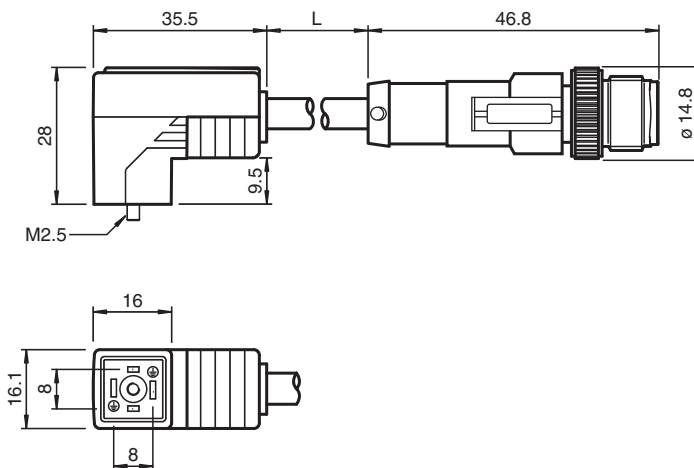
## Valve Connector Cordset VMC-2+P/Z2-0,6M-PUR-V1-G

- Valve connector according EN 175301-803 A/ISO 4400
- Z diode as a protective circuit
- Built-in LED, as operating and function indicator
- Moulded seal
- freely selectable cable models due to bridged protective earth
- Suitable for drag chains and abrasion resistant
- Flame resistant cable
- Halogen-free
- Oil resistant
- Immunity to vibration

Valve connector Form C, Z-diode LED 2-pin+PE to M12 plug straight A-coded 3-pin, PUR cable black, drag chain suitable



### Dimensions



### Technical Data

#### General specifications

<b>Connector 1</b>	
Connection	Valve connector DIN
Construction type	form C
Style	angled
Locking	screw connection
Number of pins	2 + PE
<b>Connector 2</b>	
Connection	plug
Construction type	M12
Style	straight
Locking	screw connection
Number of pins	3
Coding	A-coded
<b>Indicators/operating means</b>	
LED yellow	Operating display

Release date: 2025-02-09 Date of issue: 2025-02-10 Filename: 456887\_eng.pdf

## Technical Data

Electrical specifications		
Operating voltage	U <sub>B</sub>	24 V AC/DC
Operating current	I <sub>B</sub>	max. 4 A
Suppression		Zener diode
Conformity		
Degree of protection		EN 60529
Plug connection		Valve connector : DIN EN 175301-803 connector M12 x 1 : IEC 61076-2-101
Flammability		DIN VDE 0482 , DIN EN 50265-2-1 , UL 94
Halogen-free		DIN VDE 0472-815
UV resistance		DIN EN ISO 4892-2-A
Oil resistance		DIN EN 60811-2-1
Ambient conditions		
Ambient temperature		
Connector 1		-20 ... 85 °C (-4 ... 185 °F)
Connector 2		-25 ... 90 °C (-13 ... 194 °F)
Cable, fixed installation		-40 ... 80 °C (-40 ... 176 °F)
Cable, flexing		-20 ... 80 °C (-4 ... 176 °F)
Pollution degree		3
Mechanical specifications		
Connector 1		
Tightening torque		0.6 Nm
Tool installation		screw M2.5 x 27.5
Mating cycles		min. 100
Connector 2		
Tightening torque		0.6 Nm
Tool installation		straight knurling
Mating cycles		min. 100
Degree of protection		IP65 / IP67
Cable		according to IEC/EN 60228 (DIN VDE 0295) class 5
Sheath diameter		4.5 mm
Bending radius		> 10 x cable diameter, movable installation > 5 x cable diameter, fixed installation
Sheath color		black (similar to RAL 7021)
Number of cores		3
Core cross section		0.5 mm <sup>2</sup>
Cores color		Core 1-4: black Core 2-3: black Core PE-5: green/yellow
Core construction		28 x 0.15 mm Ø
Length	L	0.6 m
Cable code		Li 9Y 11Y 3 x 0,50
Drag chain suitability		
Drag chain cycles		min. 15000000
Motion velocity		max. 5 m/s
Traverse distance		0.9 m
Acceleration		max. 30 m/s <sup>2</sup>
Mass		40.68 g
Material		
Halogen-free		yes
Connector 1		
Body		TPU, black
Seal		TPU , molded
Contact surface		Sn

Release date: 2025-02-09 Date of issue: 2025-02-10 Filename: 456887\_eng.pdf

## Technical Data

Flammability	V-0
Connector 2	
Screw connection	Zinc diecast, nickel-plated
Body	TPU, black
Contact surface	Ni/Au
Flammability	HB
Cable	
Sheathing	PUR
Cores	bare copper (Cu)
Core insulation	PP
UV resistance	yes
Oil resistance	good
Flammability	V-0

## Connection

