



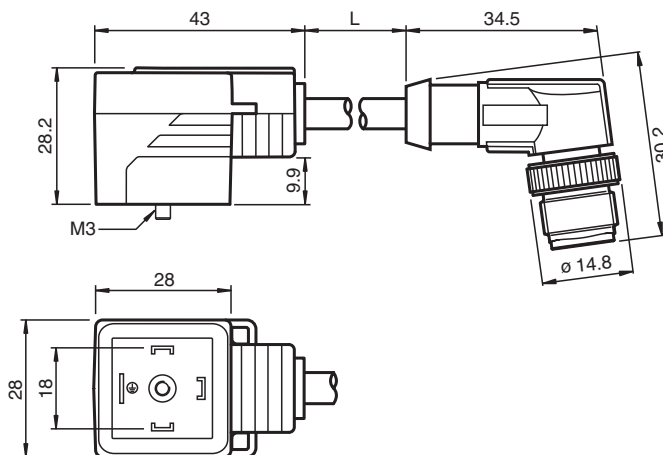
Valve Connector Cordset VMA-3+P/L1-0,6M-PUR-V1-W

- Valve connector according EN 175301-803 A/ISO 4400
- Built-in LED, as operating and function indicator
- Suitable for drag chains and abrasion resistant
- Moulded seal
- Flame resistant cable
- Free of paint wetting interfering substances
- Completely halogen and silicon free
- Resistant to microbes and hydrolysis
- Oil resistant
- Immunity to vibration

Valve connector Form A, 3-pin+PE 2x LED to M12 plug angled A-coded 5-pin, PUR cable black, drag chain suitable



Dimensions



Technical Data

General specifications

| | |
|-----------------------------------|---------------------|
| Connector 1 | |
| Connection | Valve connector DIN |
| Construction type | form A |
| Style | angled |
| Locking | screw connection |
| Number of pins | 3 + PE |
| Connector 2 | |
| Connection | plug |
| Construction type | M12 |
| Style | angled |
| Locking | screw connection |
| Number of pins | 5 |
| Coding | A-coded |
| Indicators/operating means | |
| LED green | Operating display |

Release date: 2025-02-09 Date of issue: 2025-02-10 Filename: 456905_eng.pdf

Technical Data

| | | |
|----------------------------------|----------------|---|
| LED red | | Functional display |
| Electrical specifications | | |
| Operating voltage | U _B | 24 V AC/DC |
| Operating current | I _B | max. 4 A |
| Conformity | | |
| Degree of protection | | EN 60529 |
| Plug connection | | Valve connector : DIN EN 175301-803 connector M12 x 1 : IEC 61076-2-101 |
| Flammability | | UL 94 |
| Halogen-free | | DIN VDE 0472-815 |
| UV resistance | | DIN EN ISO 4892-2-A |
| Oil resistance | | DIN EN 60811-2-1 |
| Ambient conditions | | |
| Ambient temperature | | |
| Connector 1 | | -20 ... 85 °C (-4 ... 185 °F) |
| Connector 2 | | -25 ... 90 °C (-13 ... 194 °F) |
| Cable, fixed installation | | -40 ... 80 °C (-40 ... 176 °F) |
| Cable, flexing | | -20 ... 80 °C (-4 ... 176 °F) |
| Pollution degree | | 3 |
| Mechanical specifications | | |
| Connector 1 | | |
| Tightening torque | | 0.6 Nm |
| Tool installation | | screw M3 x 29 |
| Mating cycles | | min. 100 |
| Connector 2 | | |
| Tightening torque | | 0.6 Nm |
| Tool installation | | straight knurling |
| Mating cycles | | min. 100 |
| Degree of protection | | IP65 / IP67 |
| Cable | | according to IEC/EN 60228 (DIN VDE 0295) class 5 |
| Sheath diameter | | 5.3 mm |
| Bending radius | | > 10 x cable diameter, movable installation > 5 x cable diameter, fixed installation |
| Sheath color | | black (similar to RAL 7021) |
| Number of cores | | 5 |
| Core cross section | | 0.5 mm ² |
| Cores color | | Core 1-1: black Core 2-2: black Core 3-4: black Core 2-3/3-3: black Core PE-5: green/yellow |
| Core construction | | 28 x 0.15 mm Ø |
| Length | L | 0.6 m |
| Cable code | | Li 9Y 11Y 5 x 0,50 |
| Drag chain suitability | | |
| Drag chain cycles | | min. 15000000 |
| Motion velocity | | max. 5 m/s |
| Traverse distance | | 0.9 m |
| Acceleration | | max. 30 m/s ² |
| Mass | | 58 g |
| Material | | |
| PWIS free | | yes |
| Halogen-free | | yes |
| Connector 1 | | |
| Body | | TPU, black |

Technical Data

| | |
|-----------------------|-----------------------------|
| Seal | TPU , molded |
| Contact surface | Sn |
| Flammability | V-0 |
| Connector 2 | |
| Screw connection | Zinc diecast, nickel-plated |
| Body | TPU, black |
| Contact surface | Ni/Au |
| Flammability | HB |
| Cable | |
| Sheathing | PUR |
| Cores | bare copper (Cu) |
| Core insulation | PP |
| UV resistance | yes |
| Chemical resistance | good |
| Oil resistance | good |
| Microbial resistance | yes |
| Hydrolysis resistance | yes |
| Flammability | V-0 |

Connection

