

6000 Series coupler (NPT to metric)

6000-COUPLER-3/4-M20

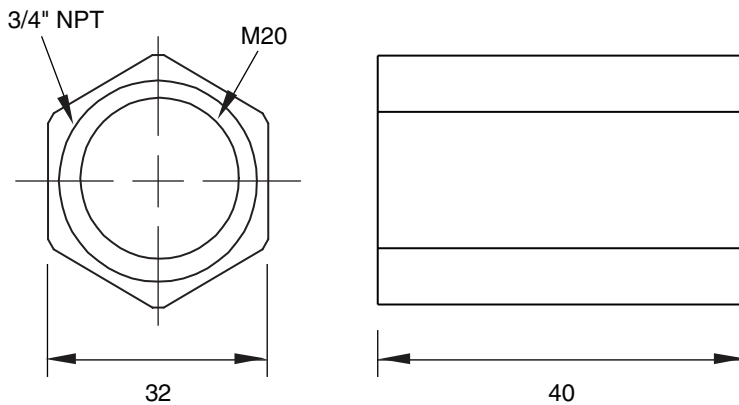


- Converts 3/4" NPT male thread to M20 female thread
- Exd, Exe fittings
- Easy to add on any certified cable gland

Function

The 6000-COUPLER, female to female adapter, is designed to convert the 3/4" NPT male power conduit of the purge 6000 Series control unit to a female metric size thread so that standard certified cable glands can be used.

Dimensions



Technical Data

General specifications

Series	6000 Series
System	Type X Purge ; Ex pxb Purge

Ambient conditions

Ambient temperature	-60 ... 200 °C (-76 ... 392 °F)
---------------------	---------------------------------

Mechanical specifications

Degree of protection	IP64
Material	brass, nickel-plated
Dimensions	40 mm long x 32 mm across the flats

Data for application in connection with hazardous areas

EU-type examination certificate	Sira 10ATEX1225X Sira 00ATEX1073U IECEX SIR 09.084U GOST TC C-GB.06.B00105 INMETRO NCC 12.0764U
---------------------------------	---

Technical Data

Marking

Exd I&lc / Exe I&I / Ex tD A21

Release date: 2025-06-18 Date of issue: 2025-06-18 Filename: 514474_eng.pdf