

Type Ex pz pressure regulator

5000Q-PRE-*-*

- Regulate and control enclosure pressure
- Compensates for supply line variations
- External pressure gauge

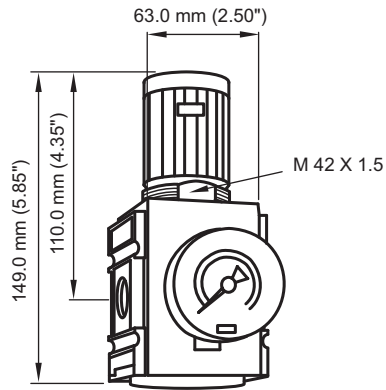
Function

The 5000Q series Ex pz purge and pressurization system allows generalpurpose equipment to be mounted in enclosures and operate safely in Zone 2 or Zone 22 hazardous areas.

The 5000Q-PRE regulator controls the upstream pressure between 0.5 to 8 bar and is visible through the pressure gauge.

Regulated pressure will keep the pressure within the enclosure through the digital valve constant and will provide trouble free operation. Pressure regulators are very important when the source pressure can vary which can cause low or loss of pressure to the enclosure while operating.

Dimensions



Technical Data

Ambient conditions

Ambient temperature -10 ... 50 °C (14 ... 122 °F)

Technical Data

Mechanical specifications

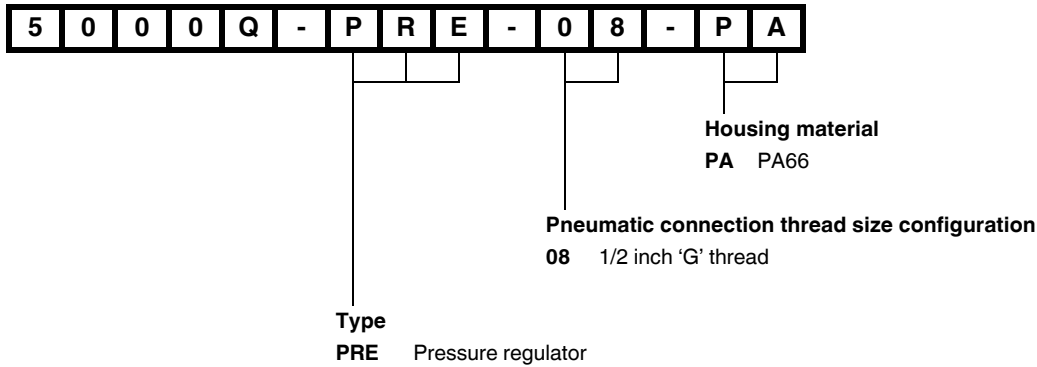
Material

body: Grivory® (PA66)
seal: NBR

Technical Features

Additional Information	
Model number	5000Q-PRE-*-*
Pressure range	0.2 - 10 bar
Orifice size	inlet/outlet : G1/2 (13 mm)
	gauge port: G1/4

Type Code



Components

Control unit: 5000Q-02-*: Required

Vent unit: EPV-5000Q-*: Required

Digital valve: 5000Q-DV-*: Optional