



7500 Series Mounted Control Unit, Type Z and Ex pzc

7500-MTD-PMRW-01

- Must be used in conjunction with an EPV-7500-* vent
- Panel mount, rectangular box
- Universal power: AC or DC
- Touch screen display with LEDs for easy visual indication
- Easy setup with pre-set purge programs for your application
- Automatic pressure compensation with digital manifold
- Rugged, corrosion-resistant housing
- Global third-party approvals for Class I, II, Div. 2 and Zone 2/22
- Manual valve, no electrical power requirement
- Purge and pressurization valving in one device

Type Z & Ex pzc purge and pressurization system, panel mount, rectangle box

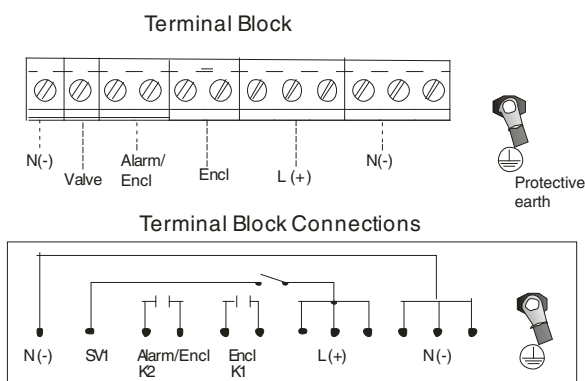


Function

The 7500 series panel/external mount purge and pressurization system consists of a control unit and a 7500-MAN-MV-01 manual manifold mounted to a panel. The control unit's menu-driven touch screen display makes it easy to select pre-programmed and user-selected variables. The display has 4 LED indicators that allow users to determine system condition from a distance. See the 7500 control unit datasheet for technical data. The 7500-MAN-MV-01 manifold combines in one compact housing a ball valve for purging and a needle valve for pressurizing an enclosure. The ball valve has a handle for easy actuation. To provide security and prevent tampering, the needle valve requires a slot-head screwdriver to set the enclosure pressure. See the 7500-MAN-MV-01 manifold datasheet for technical data. The 7500 series system has NEC, CE Code, ATEX, CCC, and IECEx third-party certifications for Class I, II/Div. 2 Type Z and Zone 2/22 Ex Ppc.

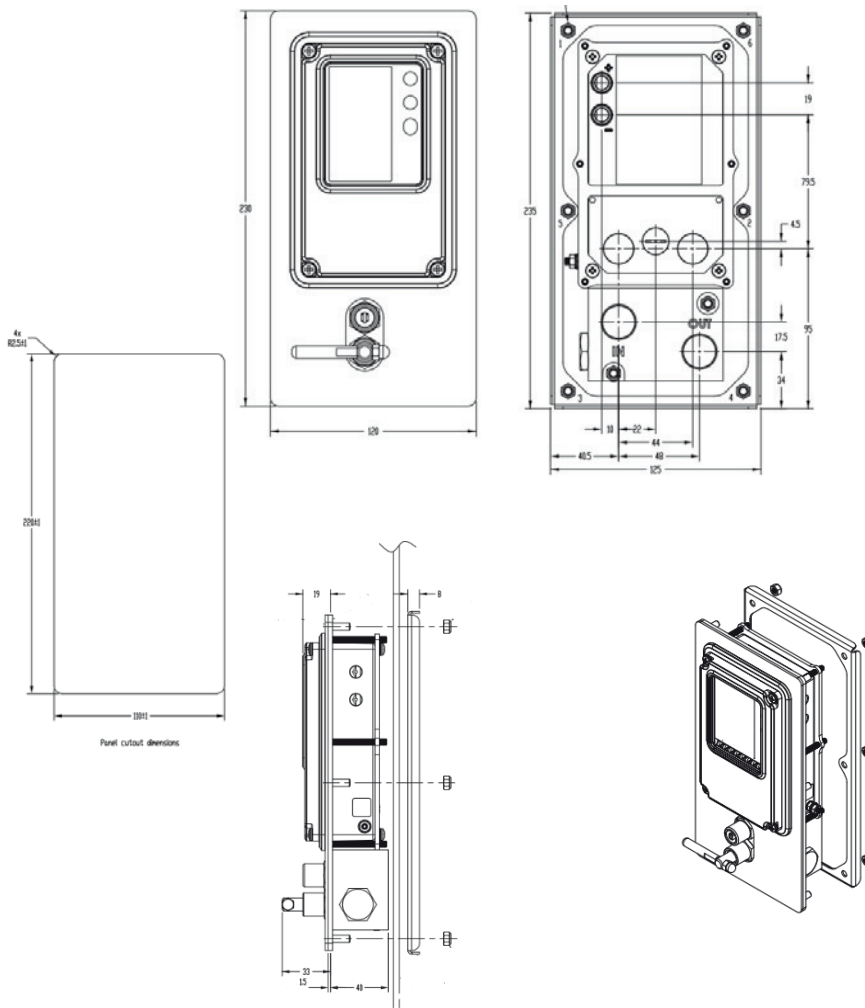
Connection

Electrical Connections



Release date: 2025-06-18 Date of issue: 2025-06-18 Filename: 5116098_eng.pdf

Dimensions



Technical Data

General specifications

Equipment architecture	max. enclosure size 12.7 m ³ (450 ft ³) For complete technical data, see the 7500 Control Unit and 7500-MAN-MV-01 datasheets
Operating mode	fully automatic (FA)
Series	7500
System	Type Z Purge ; Ex pzc Purge
Hazardous environment	gas or dust

Supply

Rated voltage	U_r	20 ... 30 V DC at 0.1 A 90 ... 250 V AC , 50 ... 60 Hz at 0.04 A without solenoid valve Supply voltage can be line-to-line or line-to-neutral, single phase OVC II
Power consumption		max. 2.7 W / 7.3 VA without valve

Electrical specifications

Connection		screw terminals -- see manual for specifications on wire size and torque values
------------	--	---

Output

Output I		
Connection		K1, terminals, 1 x NO
Output type		enclosure power contacts
Contact loading		5 A at 250 V AC , 5 A at 30 V DC, relays must be externally fused inrush current: 50 A

Technical Data

Output II		
Connection	K2, terminals, 1 x NO	
Output type	alarm and control contacts	
Contact loading	5 A at 250 V AC , 5 A at 30 V DC, relays must be externally fused inrush current: 50 A	
Output III		
Connection	SV1, terminals, L1 powered contact	
Output type	solenoid manifold, contact	
Contact loading	0.5 A at 250 V AC , 0.5 A	
Indicators/settings		
LED indication	K1: Green - Contact K1 is energized (enclosure contacts) K2: Amber - Contact K2 is energized (alarm/control contacts) P/SV: Blue - Safe pressure P1 (minimum enclosure pressure) P/SV: Amber - Solenoid manifold is energized (purging/pressure compensation)	
Pneumatic parameters		
Protective gas supply	compressed air or inert gas, 40 µm filter, free from oil	
Pressure requirement	supply pressure: 1.4 ... 8.2 bar (20 ... 120 psig)	
Safe pressure	P1 for gas: 0.30 mbar (0.12 in. w.c.) P2 for dust: 1.29 mbar (0.52 in. w.c.) P2: 1.99 mbar (0.8 in. w.c.) P3: 6.22 mbar (2.5 in. w.c.) P4: 11.2 mbar (4.5 in. w.c.)	
Enclosure pressure	0 ... 12.9 mbar (0 ... 5 in wc)	
Directive conformity		
Electromagnetic compatibility		
Directive 2014/30/EU	EN 61326-1:2013	
RoHS		
Directive 2011/65/EU (RoHS)	EN IEC 63000:2018	
Conformity		
Electromagnetic compatibility	EN 61326-3-2:2008, EN 61000-6-2:2005	
Emitted interference	FCC CFR 47, part 15, subpart B: 2017 , ICES-003, Issue 6:2016, Class A ITE	
Ambient conditions		
Ambient temperature	-40 ... 50 °C (-40 ... 122 °F) at T6 -40 ... 65 °C (-40 ... 149 °F) at T5 -40 ... 70 °C (-40 ... 158 °F) at T4	
Storage temperature	-40 ... 80 °C (-40 ... 176 °F)	
Relative humidity	5 ... 90 %, non-condensing	
Altitude	max. 2000 m	
Vibration resistance	5 ... 100 Hz , 1 g, 12 m/s ² , all axes	
Impact resistance	30 g, 11 ms, all axes	
Mechanical specifications		
Connection type	electrical: 2 x 1/2 inch NPTF (open from factory) 1 x M12 opening (plugged from factory) pneumatic: high-pressure port - 1/8 in NPTF, low-pressure port - 1/8 in NPTF	
Degree of protection	Mounting to enclosure Type 4X / IP66	
Material	Lens: Makrolon® GP-V polycarbonate Screws: AISI 316 (1.4401), 304, or 18-8 stainless steel Housing: A380, A356, or 6061-T6 aluminum Mounting gasket: Bisco® HT-800 medium cellular silicone Mounting tabs: SAE 304 stainless steel M12 plug: 6061-T6 aluminum	
Mass	2.5 kg (5 lb 10 oz)	
Data for application in connection with hazardous areas		
Certificate		
Marking	Ⓜ II 3 G Ex ec mc nC [pzc Gc] IIC T6...T4 Gc Ⓜ II 3 D Ex mc tc [pzc Dc] IIIC T60 °C ... T80 °C Dc	
Directive conformity		

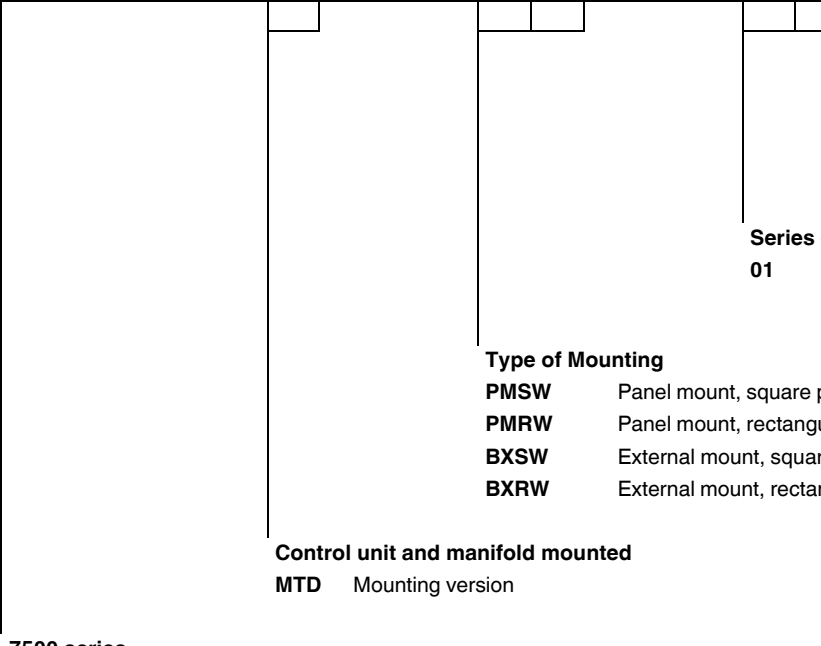
Release date: 2025-06-18 Date of issue: 2025-06-18 Filename: 516098_eng.pdf

Technical Data

Directive 2014/34/EU	IEC/EN 60079-0 , IEC/EN 60079-2 , IEC/EN 60079-7 , IEC/EN 60079-15 , IEC/EN 60079-18 , IEC/EN 60079-31 Supplements: EN 61010-1:2010
International approvals	
UL approval	
cULus	Class I, Division 2, Groups A, B, C, D T6 ... T4 Class II, Division 2, Groups F, G T6 ... T4
IECEx approval	Ex ec mc nC [pzc Gc] IIC T6...T4 Gc Ex mc tc [pzc Dc] IIIC T60 °C ... T80 °C Dc
General information	
Supplementary information	Type Examination Certificate, Statement of Conformity, Declaration of Conformity, Attestation of Conformity and instructions have to be observed where applicable. For information see www.pepperl-fuchs.com .

Type Code

7 5 0 0 - M T D - P M S W - 0 1



Series - option
01 standard housing type

Type of Mounting
PMSW Panel mount, square panel
PMRW Panel mount, rectangular panel
BXSW External mount, square box
BXRW External mount, rectangular box

Control unit and manifold mounted
MTD Mounting version

7500 series

Release date: 2025-06-18 Date of issue: 2025-06-18 Filename: 516098_eng.pdf