



7500 series vent EPV-7500-AA-02

- Must be used in conjunction with a 7500-01-AA* or 7500-MTD-* purge and pressurization control unit
- Low cost, universal mounting, easy to use
- Not gravity dependent
- Various enclosure protection vents for different applications
- Rugged, corrosion-resistant housing
- Mechanical with no cables
- Global third-party approvals for Class I, II, Div. 2 and Zone 2/22

7500 series purge and pressurization system vent, aluminum body and cap

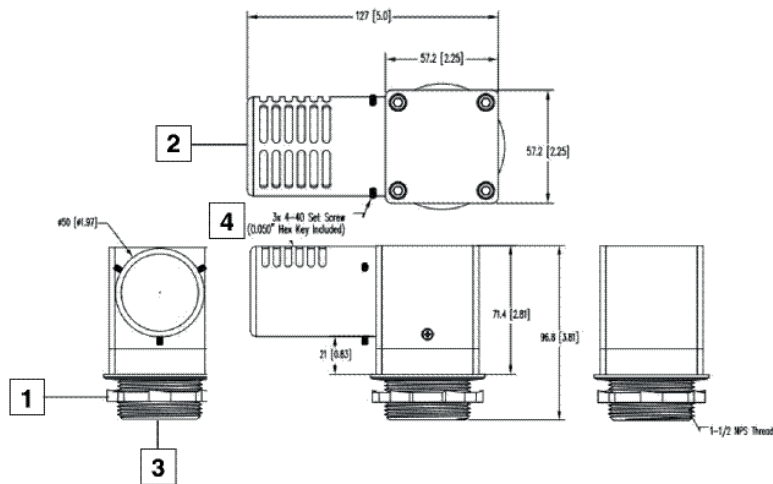


Function

The 7500 series purge and pressurization system consists of a control unit, an enclosure protection vent, and a manual or automatic manifold. The control unit's menu-driven touch screen display makes it easy to select pre-programmed and user-selected variables. The display has 4 LED indicators that allow users to determine system condition from a distance. A digital manifold system such as the 5500-MAN-... can be used to make the 7500 a fully automatic system. Enclosure pressure and leakage are monitored. If a loss in enclosure pressure occurs, the solenoid valve engages to restore the defined pressure settings and/or trigger a pressure drop alarm. The 7500 series system has NEC, CEC, ATEX, CCC and IECEx third-party certifications for Class I, II/Div. 2 Type Z and Zone 2/22 Ex pzc.

Dimensions

EPV-7500-...-01/02 Vent



1	1-1/2 NPS thread
2	Exhaust port
3	Inlet port
4	(3) hex key 0.05 inch (included)

Technical Data

General specifications

Equipment architecture	max. enclosure size 12.7 m ³ (450 ft ³)
Series	7500
System	Type Z Purge ; Ex pzc Purge
Hazardous environment	gas or dust

Release date: 2025-03-06 Date of issue: 2025-03-06 Filename: 516146_eng.pdf

Technical Data

Pneumatic parameters		
Protective gas supply		compressed air or inert gas, 40 µm filter, free from oil
Maximum pressure		See tables
Purge flow rate		See tables
Flow rate for leakage compensation		EPV-7500....-01: Less than 11.8 l/min (0.42 scfm) @ 0.63 mbar (0.25 in. w.c.) Less than 30.6 l/min (1.08 scfm) @ 1.9 mbar (0.75 in. w.c.) EPV-7500....-02: Less than 9.4 l/min (0.33 scfm) @ 0.63 mbar (0.25 in. w.c.) Less than 22.6 l/min (0.8 scfm) @ 1.9 mbar (0.75 in. w.c.) EPV-7500....-03 and EPV-7500-AA-04: Less than 1 l/min (0.035 scfm) @ 0.63 mbar (0.25 in. w.c.) Less than 1 l/min (0.035 scfm) @ 1.9 mbar (0.75 in. w.c.)
Breaking pressure		EPV-7500....-01: 2.0 mbar (0.8 in. w.c.) EPV-7500....-02: 3.5 mbar (1.4 in. w.c.) EPV-7500....-03: 3.8 mbar (1.5 in. w.c.) EPV-7500-AA-04: 3.5 mbar (1.4 in. w.c.)
Directive conformity		
Electromagnetic compatibility		
Directive 2014/30/EU		EN 61326-1:2013 , FCC CFR 47, part 15, subpart B: 2017, Class A ICES-003, Issue 6:2016, Class A ITE
RoHS		
Directive 2011/65/EU (RoHS)		EN 50581:2012
Conformity		
Degree of protection		Directive conformity: see Declaration of Conformity
Ambient conditions		
Ambient temperature		-40 ... 70 °C (-40 ... 158 °F)
Storage temperature		-40 ... 80 °C (-40 ... 176 °F)
Relative humidity		5 ... 90 %, non-condensing
Vibration resistance		5 ... 100 Hz , 1 g, 12 m/s ² , all axes
Impact resistance		30 g, 11 ms, all axes
Mechanical specifications		
Degree of protection		EPV-7500....-01/02/04: mounting only Type 4X / IP66 EPV-7500....-03: Mounting and unit Type 4X / IP66
Material		
Housing		EPV-7500-AA... body and cap: 6061-T6 aluminum EPV-7500-SS... body: 6061-T6 aluminum cap: AISI 316L (1.4404) stainless steel
Spark arrestor		304 Stainless steel
Installation		- any orientation to enclosure - not gravity dependent - internal and external mounting possible
Mass		approx. 1000 g (2.2 lb)
Dimensions		See "Dimensions" section.
Mounting		EPV-7500....-01/02/03: mounting hole 1.5 in NPT knockout (50.8 mm) hole sealing nut (provided) EPV-7500-AA-04: mounting hole 37 mm with sealing nut (provided)
Data for application in connection with hazardous areas		
Certificate		
Marking		⊕ II 3GD (part of DEMKO 18 ATEX 2025 X)
Directive conformity		
Directive 2014/34/EU		IEC/EN 60079-0 , IEC/EN 60079-2 , IEC/EN 60079-7 , IEC/EN 60079-15 , IEC/EN 60079-18 , IEC/EN 60079-31 Supplements: EN 61010-1:2010, EN 61326-3:2008, EN 61000-6-2:2005
International approvals		
UL approval		
cULus		Class I, Division 2, Groups A, B, C, D T4 (-40 °C ≤ Ta ≤ 70 °C) Class I, Division 2, Groups A, B, C, D, T6 (-40 °C ≤ Ta ≤ 50 °C) Class II, Division 2, Groups F, G T4 (-40 °C ≤ Ta ≤ 70 °C) Class II, Division 2, Groups F, G T6 (-40 °C ≤ Ta ≤ 50 °C)
IECEx approval		part of IECEx UL 18.0022X

Technical Features

Flow Rates

EPV-7500-...-01 Vent Flow vs. Enclosure Pressure

ft ³ /min	Inches of water
5	1.28
7	1.44
10	1.64
12	1.80
15	2.10
17	2.30
20	2.53
25	2.95
30	3.50
35	4.15

l/min	mbar
141	3.19
198	3.59
283	4.09
339	4.48
424	5.23
481	5.73
566	6.30
707	7.35
849	8.71
991	10.33

EPV-7500-...-02 Vent Flow vs. Enclosure Pressure

ft ³ /min	Inches of water
5	2.15
7	2.35
10	2.65
12	2.85
15	3.15
17	3.35
20	3.65
25	4.25
30	4.75
35	5.25

l/min	mbar
141	5.36
198	5.85
283	6.60
339	7.10
424	7.84
481	8.34
566	9.09
707	10.58
849	11.82
991	13.07

EPV-7500-...-03 Vent Flow vs. Enclosure Pressure

ft ³ /min	Inches of water
2	1.23
4	1.44
6	1.92
8	2.10
10	2.20
12	2.35
14	2.86
16	3.71
18	4.70
21	6.31

l/min	mbar
56.6	3.1
113.3	3.6
169.9	4.8
226.5	5.2
283.2	5.5
339.8	5.8
396.4	7.1
453.1	9.2
509.7	11.7
594.7	15.7

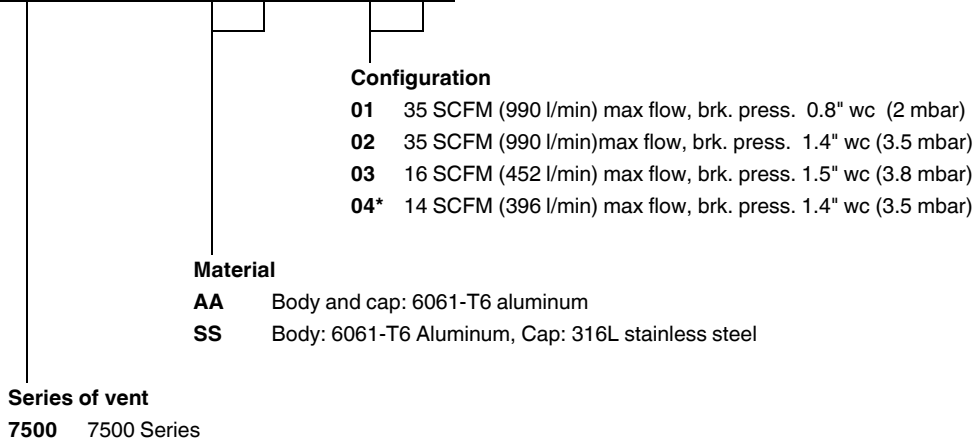
EPV-7500-AA-04 Vent Flow vs. Enclosure Pressure

ft ³ /min	Inches of water
3	2.50
4	2.75
5	3.10
6	3.40
7	3.80
8	4.20
9	4.60
10	5.00
11	5.50
12	6.10
13	6.80
14	7.70

l/min	mbar
85	6.23
113	6.85
141	7.72
170	8.47
198	9.46
226	10.46
254	11.45
339	12.45
311	13.69
339	15.18
368	16.93
396	19.17

Type Code

E P V - 7 5 0 0 - A A - 0 1



* The only possible combination with these options is "EPV-7500-AA-04"

Release date: 2025-03-06 Date of issue: 2025-03-06 Filename: 516146_eng.pdf