



## D-Sub plug 9-pin

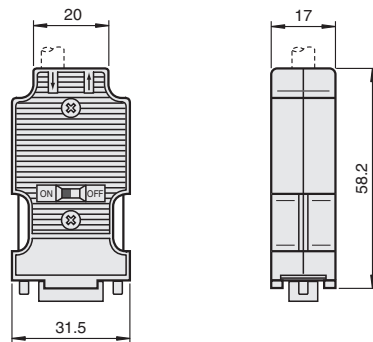
### LB9002A

- For PROFIBUS DP, MODBUS, RS 485
- Axial cable feed
- With switchable bus termination resistor

D-Sub plug 9-pin, axial cable feed



## Dimensions



## Technical Data

Electrical specifications			
Rated voltage	$U_r$	60 V AC/DC	
Rated current	$I_r$	1 A	
Interface			
Interface type		PROFIBUS DP	
Transfer rate		max. 12 MBit/s	
Connector pinout		3, 5, 6, 8	
Ambient conditions			
Ambient temperature		-20 ... 75 °C (-4 ... 167 °F)	
Storage temperature		-25 ... 80 °C (-13 ... 176 °F)	
Mechanical specifications			
Core cross section		max. 1.5 mm <sup>2</sup>	
Cable diameter		7.6 ... 8.4 mm	
Cable gland		screw terminals	
Material			
Housing		metallized ABS	
Mass		approx. 40 g	

Release date: 2022-07-04 Date of issue: 2022-07-04 Filename: 542006\_eng.pdf

**Technical Data**

Dimensions	(W x H x D) 31.5 mm x 58.2 mm x 17 mm
<b>International approvals</b>	
EAC approval	Russia: RU C-IT.MIII06.B.00129
Marine approval	
Lloyd Register	15/20021
American Bureau of Shipping	T1450280/UN