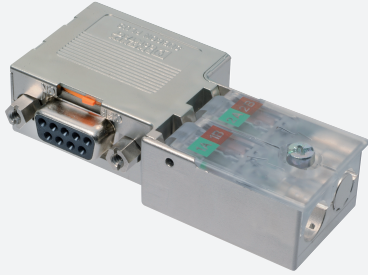


# D-Sub plug 9-pin

## LB9003A

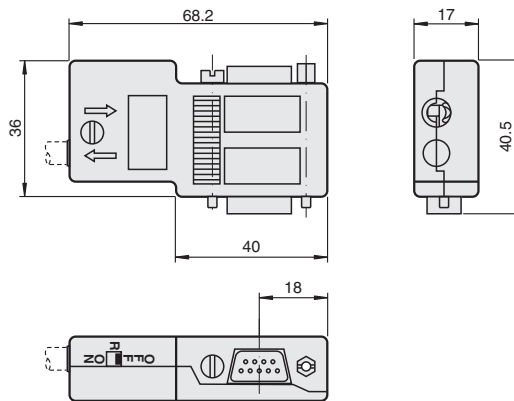


- For PROFIBUS DP, MODBUS, RS 485
- Cable feed below 90°
- With switchable bus termination resistor
- With connector for bus monitor or class 2 master

D-Sub plug 9-pin, cable feed below 90°



### Dimensions



### Technical Data

| Electrical specifications |       |                                |
|---------------------------|-------|--------------------------------|
| Rated voltage             | $U_r$ | 60 V AC/DC                     |
| Rated current             | $I_r$ | 1 A                            |
| Interface                 |       |                                |
| Interface type            |       | PROFIBUS DP                    |
| Transfer rate             |       | max. 12 MBit/s                 |
| Connector pinout          |       | 3, 5, 6, 8                     |
| Ambient conditions        |       |                                |
| Ambient temperature       |       | -20 ... 75 °C (-4 ... 167 °F)  |
| Storage temperature       |       | -25 ... 80 °C (-13 ... 176 °F) |
| Mechanical specifications |       |                                |
| Core cross section        |       | max. 1.5 mm <sup>2</sup>       |
| Cable diameter            |       | 7.6 ... 8.4 mm                 |
| Cable gland               |       | screw terminals                |
| Material                  |       |                                |
| Housing                   |       | metallized ABS                 |
| Mass                      |       | approx. 40 g                   |

Release date: 2022-07-04 Date of issue: 2022-07-04 Filename: 542007\_eng.pdf

**Technical Data**

|                                |                                       |
|--------------------------------|---------------------------------------|
| Dimensions                     | (W x H x D) 68.2 mm x 40.5 mm x 17 mm |
| <b>International approvals</b> |                                       |
| EAC approval                   | Russia: RU C-IT.MIII06.B.00129        |
| Marine approval                |                                       |
| Lloyd Register                 | 15/20021                              |
| American Bureau of Shipping    | T1450280/UN                           |