

## Features

- 1- or 2-channel Division 2 non-incendive barrier
- RS232 or USB interface for Division 2 barcode reader
- Division 2 mounting

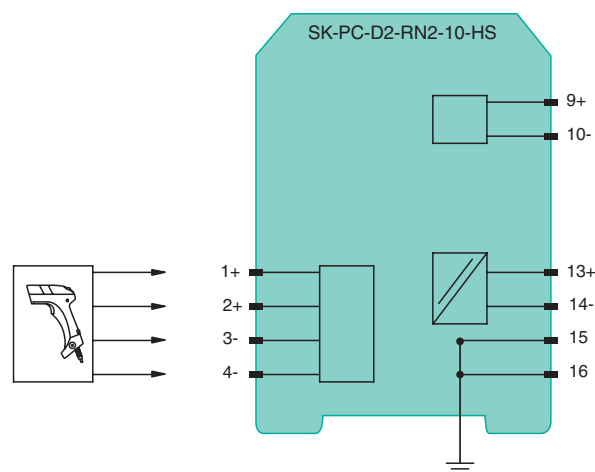
## Application

The SK-PC-D2-XXX-10-HS series is a non-incendive barrier designed to be used with Pepperl+Fuchs industrial keyboards with USB / PS2 interface, serial barcode readers, or USB barcode reader (PSCAN-1D-D2-20-10-N0) used in Div. 2 or hazardous locations.

The barrier powers barcode readers or keyboard and mouse peripherals from auxiliary power supply terminals. The external supply can range from 9 to 30 VDC.



## Connection

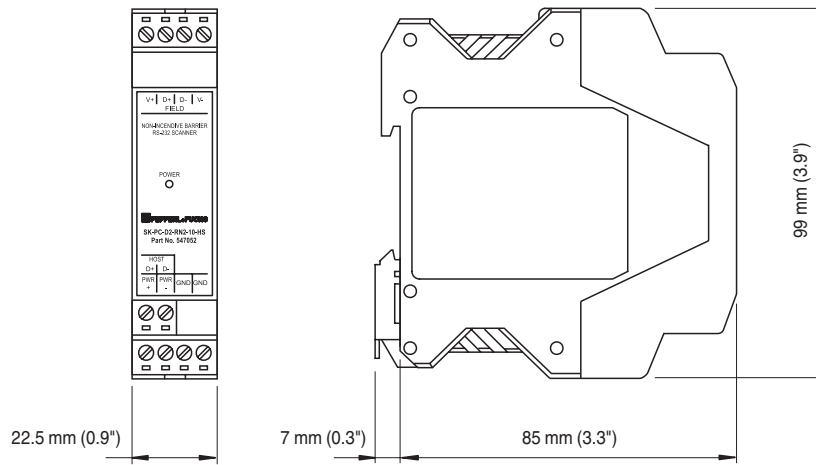


Div. 2

|  |       |   |
|--|-------|---|
| <b>Supply</b>  |       |   |
| Input current  |       | 120 mA  |
| <b>Indicators/operating means</b>                              |       |   |
| LED ON   |       | power   |
| <b>Interface</b>   |       |   |
| Interface type   |       | RS 232  |
| <b>Output</b>  |       |   |
| Output rated operating current                                 |       | 200 mA  |
| Output voltage   |       | 4.6 VDC   |
| <b>Directive conformity</b>                                    |       |   |
| Electromagnetic compatibility                                  |       | EN 50081-2, EN 61326, EN 61000-6-2, IEC 61000-4-2, IEC 61000-4-3, IEC 61000-4-4, IEC 61000-4-5, IEC 61000-4-6                   |
| <b>Conformity</b>  |       |   |
| Electromagnetic compatibility                                  |       | NE 21   |
| Degree of protection   |       | IEC 60529   |
| Protection against electrical shock                            |       | IEC 61140   |
| <b>Ambient conditions</b>                                      |       |   |
| Ambient temperature  |       | -40 ... 60 °C (-40 ... 140 °F)  |
| Relative humidity  |       | < 95 % non-condensing   |
| Vibration resistance   |       | 5 G, 58 ... 150 Hz  |
| Impact resistance  |       | 15 g, 11 ms   |
| <b>Mechanical specifications</b>                               |       |   |
| Connection type  |       | Terminal Block  |
| Degree of protection   |       | IP20  |
| Connection   |       | Supply: terminals 13+, 14-<br>Input: terminals 9+, 10-<br>Output: terminals 1+, 2+, 3-, 4-                                      |
| Mass   |       | 120 g   |
| Dimensions   |       | 99 mm x 85 mm x 22.5 mm   |
| Cable length   |       | Cable length:<br>13.7 m (45') - barrier to barcode reader<br>13.7 m (45') - host pc to barrier<br>15.2 m (50') - total length   |
| <b>Data for application in connection with hazardous areas</b> |       |   |
| Input  |       |   |
| Voltage  | $U_o$ | 9.95 V DC   |
| Current  | $I_i$ | 450 mA  |
| Internal capacitance   | $C_i$ | 20 $\mu$ F  |
| Internal inductance  | $L_i$ | 0.3 mH  |
| <b>International approvals</b>                                 |       |   |
| UL approval  |       | cULus (E106378)   |
| Control drawing  |       | 116-0337  |
| Approved for   |       | Class I, Division 2, Groups A, B, C, and D<br>Class II, Division 2, Groups F and G<br>Class III, Division 2 Hazardous Locations |

ase date 2018-12-21 14:41 Date of issue 2018-12-21 547052\_eng.xml

Dimensions



ase date 2018-12-21 14:41 Date of issue 2018-12-21 547052\_eng.xml