

## Features

- 1- or 2-channel Division 2 non-incendive barrier
- RS232 or USB interface for Division 2 barcode reader
- Division 2 mounting

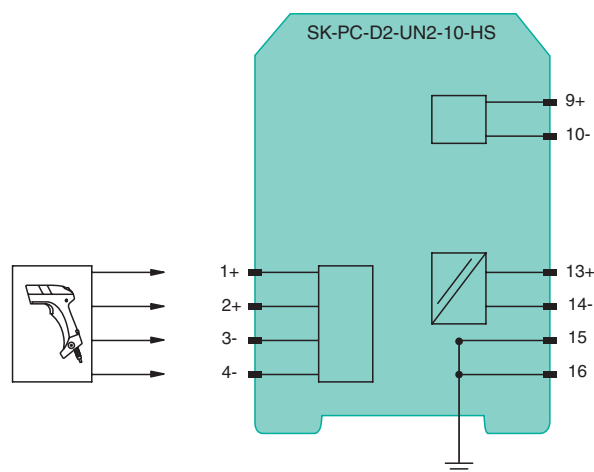
## Application

The SK-PC-D2-XXX-10-HS series is a non-incendive barrier designed to be used with Pepperl+Fuchs industrial keyboards with USB / PS2 interface, serial barcode readers, or USB barcode reader (PSCAN-1D-D2-20-10-N0) used in Div. 2 or hazardous locations.

The barrier powers barcode readers or keyboard and mouse peripherals from auxiliary power supply terminals. The external supply can range from 9 to 30 VDC.



## Connection

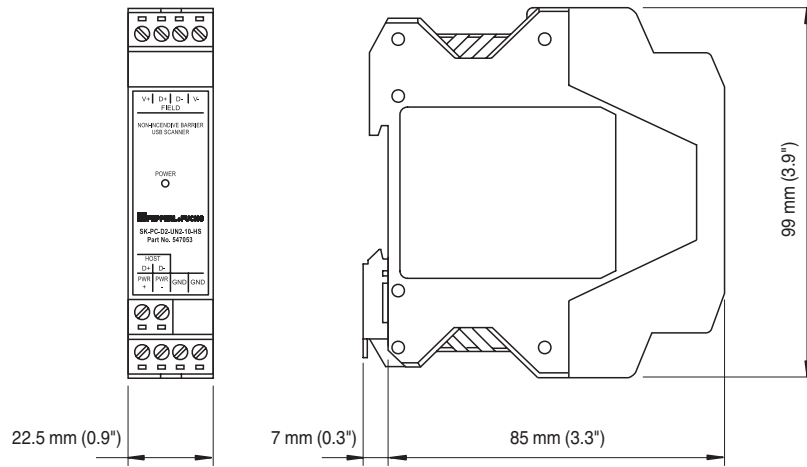


Div. 2

<b>Supply</b>		
Rated voltage $U_r$		9 ... 30 VDC
Input current		120 mA
<b>Indicators/operating means</b>		
LED ON		power
<b>Interface</b>		
Interface type		USB
<b>Output</b>		
Output rated operating current		200 mA
Output voltage		4.6 VDC
<b>Directive conformity</b>		
Electromagnetic compatibility		EN 50081-2, EN 61326, EN 61000-6-2, IEC 61000-4-2, IEC 61000-4-3, IEC 61000-4-4, IEC 61000-4-5, IEC 61000-4-6
<b>Conformity</b>		
Electromagnetic compatibility		NE 21
Degree of protection		IEC 60529
Protection against electrical shock		IEC 61140
<b>Ambient conditions</b>		
Ambient temperature		-40 ... 60 °C (-40 ... 140 °F)
Relative humidity		< 95 % non-condensing
Vibration resistance		5 G, 58 ... 150 Hz
Impact resistance		15 g, 11 ms
<b>Mechanical specifications</b>		
Connection type		Terminal Block
Degree of protection		IP20
Connection		Supply: terminals 13+, 14- Input: terminals 9+, 10- Output: terminals 1+, 2+, 3-, 4-
Mass		120 g
Dimensions		99 mm x 85 mm x 22.5 mm
Cable length		Cable length: 4.6 m (15') - barrier to barcode reader 1.8 m (6') - host pc to barrier 5.5 m (18') - total length
<b>Data for application in connection with hazardous areas</b>		
Input		
Voltage	$U_o$	5.8 V DC
Current	$I_i$	495 mA
Internal capacitance	$C_i$	750 $\mu$ F
Internal inductance	$L_i$	0.3 mH
<b>International approvals</b>		
UL approval		cULus (E106378)
Control drawing		116-0337
Approved for		Class I, Division 2, Groups A, B, C, and D Class II, Division 2, Groups F and G Class III, Division 2 Hazardous Locations

ase date 2018-12-21 14:41 Date of issue 2018-12-21 547053\_eng.xml

Dimensions



ase date 2018-12-21 14:41 Date of issue 2018-12-21 547053\_eng.xml