



Industrial Ethernet Media Converter SL-2ES-2SC

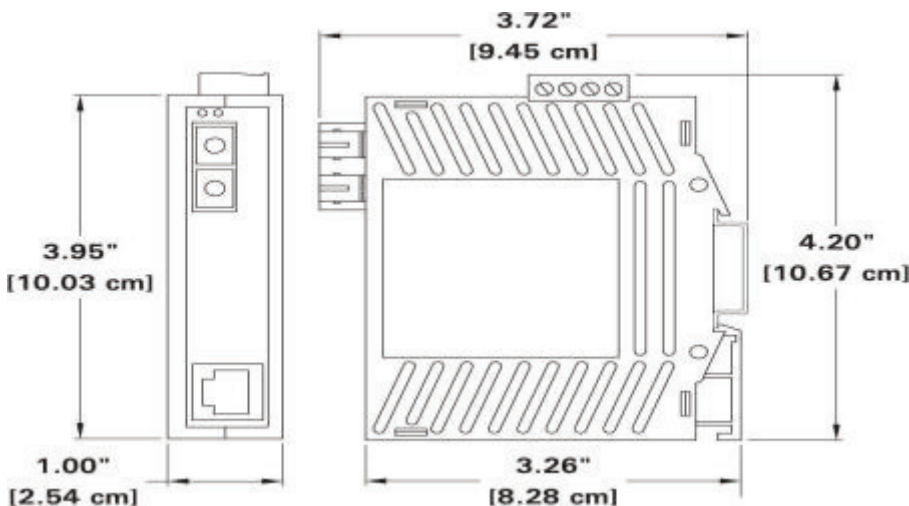
- Slim packaging fits on your DIN rail
- High performance and value
- Truly industrial hardened design
- Dual power inputs keeps you running
- UL/CSA, CE, Hazardous Locations (Zone 2) and Maritime rated
- Ultra-reliable 1,000,000+ hours MTBF
- Fiber multimode (mm) typical: 50 or 62.5/125 μm
- Fiber max. distance: (full duplex) 4 km (multimode)

Industrial Ethernet Media Converter

Function

The SL-2ES is an industrial Ethernet copper to fiber media converter that provides fast performance allowing for real-time operation. These ruggedized converters are industrial hardened to provide superior reliability. They require no user setup and immediately start operating as soon as you power them up.

Dimensions



Technical Data

Supply	
Input voltage	10 ... 30 VDC (Redundant)
Power consumption	2 W typical
Indicators/operating means	
Input devices	fiber optic (multimode) SC connectors
Directive conformity	
Electromagnetic compatibility	FCC part 15, ICES-003; EN61000-6-4, CE EN61000-6-2, CE
Ambient conditions	
Operating temperature	-10 ... 60 °C (14 ... 140 °F)
Storage temperature	-40 ... 85 °C (-40 ... 185 °F)
Relative humidity	5 ... 95 %, noncondensing
Vibration resistance	IEC60068-2-6
Mechanical specifications	

Release date: 2024-03-18 Date of issue: 2024-03-18 Filename: 547365_eng.pdf

Technical Data

Degree of protection	IP30
Connection	SC type
Material	Case: UL94V0 Lexan
Mass	0.11 kg
Dimensions	see mechanical drawing
Mounting	DIN rail or direct panel mounting
Data for application in connection with hazardous areas	
EU-type examination certificate	EN60079-15 (Zone 2, Category 3), CE
International approvals	
UL approval	UL 508/CSA C22.2/14, EN61010-1, CE UL 1604/CSA C22.2/213 (Class I, Div. 2)