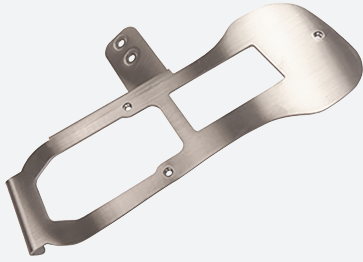


Bracket for 1-D/2-D code handheld readers for VisuNet GXP 21.5"



HOLDER-BRACKET-XX00-IDMx61-B-N

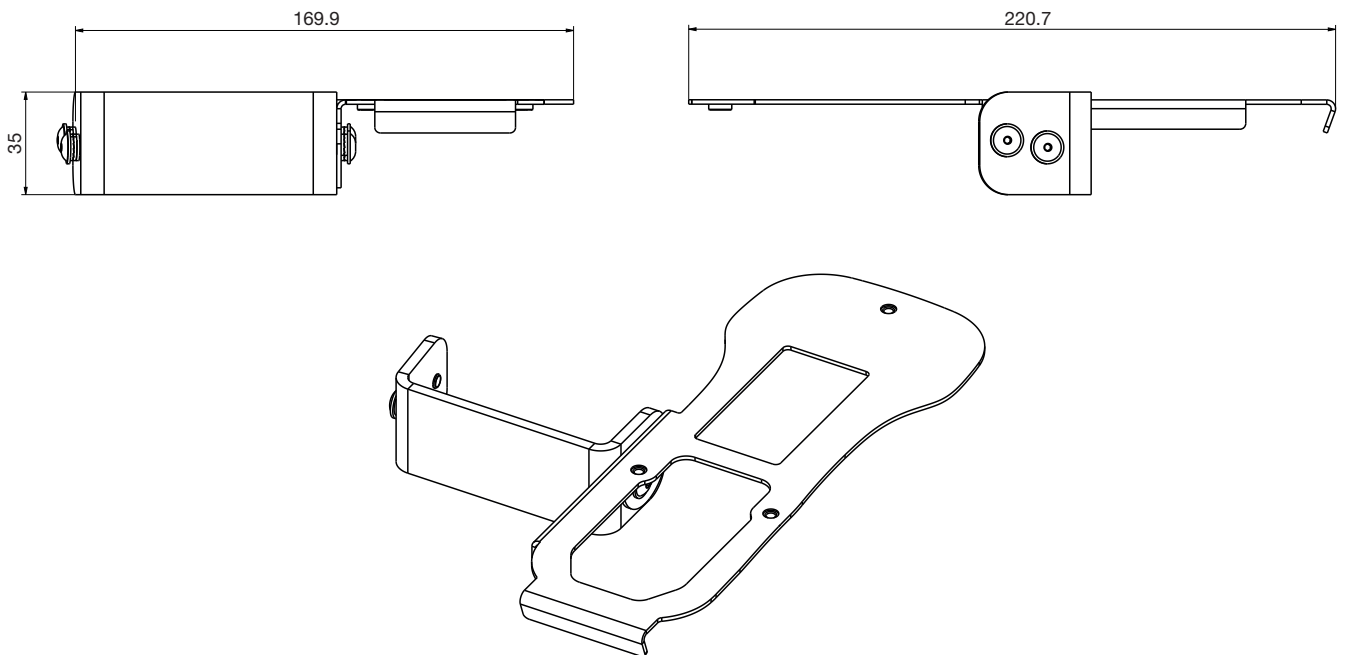
- Mounting bracket
- Simple and fast mounting
- Compatible with AG-XX00 housing (adapter included)
- Compatible with 1-D/2-D code handheld reader base stations and chargers

Stainless steel bracket to mount IDM-Zx-x6x-B-Jx-BT-N0 base station to AG-XX00 housing

Function

The HOLDER-BRACKET-XX00-IDMx61-B-N comes with an adapter and suitable screws for mounting to the AG-XX00 housing.

Dimensions



Technical Data

Mechanical specifications

Material	1.4301 stainless steel
Mass	250 g
Mounting	Included in delivery: 2 x M5 screws and mounting adapter Tightening torque: 6 Nm Use the enclosed 3 x M4 screws to tighten the base station to the holder bracket. Refer to the dimension drawing concerning the different lengths of screws. For more information, refer to the VisuNet GXP *-22F* system manual

Release date: 2022-12-13 Date of issue: 2022-12-13 Filename: 548396_eng.pdf